



GearDeck®
Slide-out Cargo Carrier
Coulissant le porte-bagages
#H00604

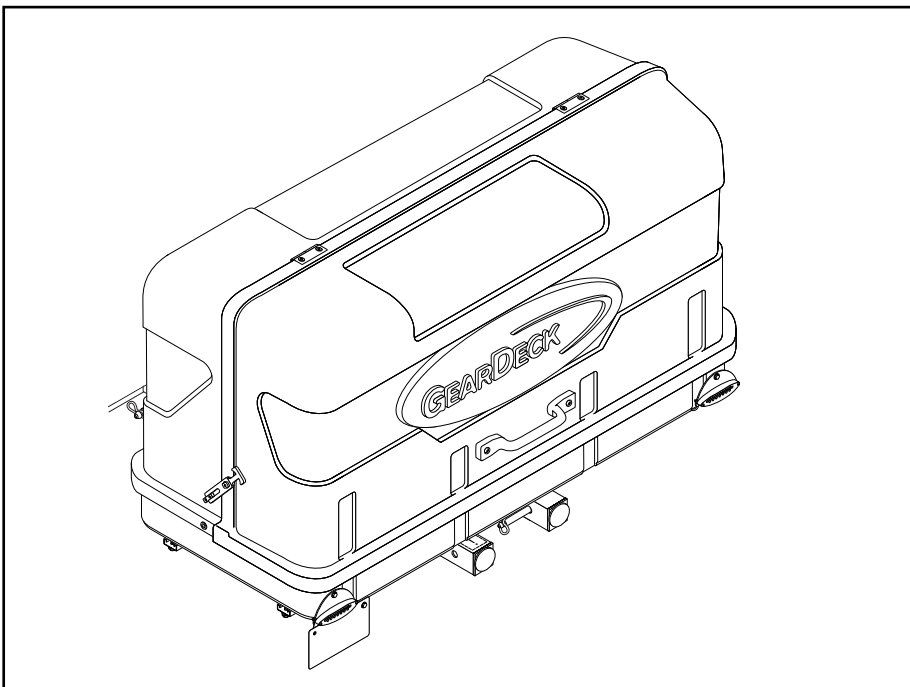
PRODUCT MANUAL / MANUEL DU PRODUIT

Installation & Safe Use Operation Highlights

For 2in Receiver Hitches and Class II Minimum Tow Rating.
Carrier weighs 80 lbs empty. 500 lbs gross weight rating; 420 lbs of cargo payload.

Points clés de l'installation et de l'utilisation en toute sécurité

Pour attelage à crochet de 2 po avec capacité de remorquage minimale de classe II. Le porte-bagages pèse 36 kg à vide. Poids nominal brut de 226 kg ; charge utile de chargement de 190 kg.



Watch the Assembly Video:
Regarder la vidéo d'assemblage :



LetsGoAero.com/Videos

English - Page 2
Français - Page 11

For More Information & Accessories, Visit our Website - www.LetsGoAero.com
For Technical Support & Product Questions Contact Us at 877-464-2376 or 719- 630-3800
Email: Support@LetsGoAero.com

Pour plus d'informations et d'accessoires, visitez notre site Web : www.LetsGoAero.com
Pour toute question sur le support technique et les produits, contactez-nous au 877-464-2376 ou au 719-630-3800
E-mail : Support@LetsGoAero.com

NOTICE: All Manual information is subject to change without notice. Revised editions will be available for free download at LetsGoAero.com. Manual information is considered factual until made obsolete by a revised version.

Follow this QR-Code or visit
LetsGoAero.com/manuals to check for an updated version

ATTENTION : toutes les informations du manuel sont susceptibles d'être modifiées sans préavis. Les éditions révisées seront disponibles en téléchargement gratuit sur LetsGoAero.com. Les informations du manuel sont considérées comme factuelles jusqu'à ce qu'elles soient rendues obsolètes par une version révisée.

Suivez ce code QR ou rendez-vous sur LetsGoAero.com/manuals pour rechercher une version mise à jour



PARTS LIST

PARTS

QTY.	DESCRIPTION
A	1 TWINTUBE SPINE
B	2 RETAINER CLIP
C	1 5/8" SILENT HITCH PIN®
D	1 5/8" SILENT HITCH PIN WITH HANDLE
E	1 5/8" LOCK WASHER
F	1 5/8" FLAT WASHER
G	1 5/8" PLASTIC BUSHING
H	2 5/8" SPRING NUT
K	1 WAX
L	2 RUBBER BUMPER
M	2 SLIDE TUBES
N	2 WING TRACK
P	4 HAT BRACKETS
Q	8 5/16" X 1" CARRIAGE BOLTS
R	1 SAFETY CABLE (W/ QUICK LINK)
S	2 REFLECTOR END CAPS, 2 1/4"
T	8 5/16" WASHERS
U	8 5/16" NYLOCK NUTS
V	1 TRAY
W	10 1/4-20 HEX BOLTS
X	8 1/4-20 NYLOCK NUTS
Y	8 1/4" FLAT WASHER
Z	8 1/4" X 1 1/4" FENDER WASHER

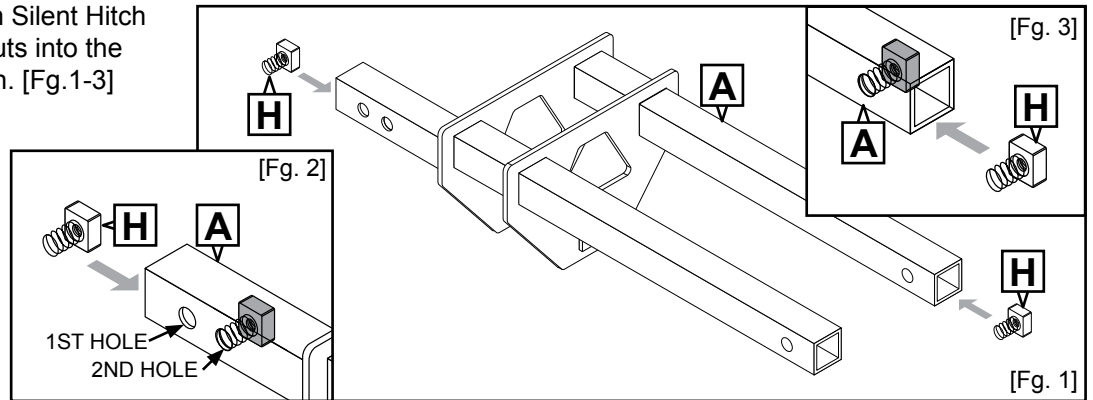
PARTS

QTY.	DESCRIPTION
AA	4 DRAIN PLUGS
BB	1 FIXED LID
CC	1 PIVOT LID (W/ LOGO)
DD	1 HANDLE
EE	4 1/4-20 X1" BUTTON-HEAD CAP BOLTS
FF	4 1/4 X 1" FENDER WASHER
GG	4 1/4" FLAT WASHER
HH	4 1/4-20 LOCK WASHER
JJ	4 1/4-20 WELD NUT
KK	8 10X24-1 PHILLIPS PAN SCREW
LL	6 #10 WASHER
MM	2 3/16 X 1 FENDER WASHER
NN	8 10-24 NYLOCK NUT
PP	2 RUBBER LATCH
QQ	2 ANGLES
RR	2 LATCH KEEPER
SS	1 LED LIGHTS
TT	1 LED LICENSE PLATE BRACKET
UU	2 LED MOUNT BRACKET
VV	2 HEX BOLT
WW	4 NYLOCK NUT
XX	4 FLAT WASHER
YY	4 K-LATH TEX SCREWS

STEP 1

Remove Spring Nuts [H] from Silent Hitch Pins and install two Spring Nuts into the TwinTube Spine [A] as shown. [Fig.1-3]

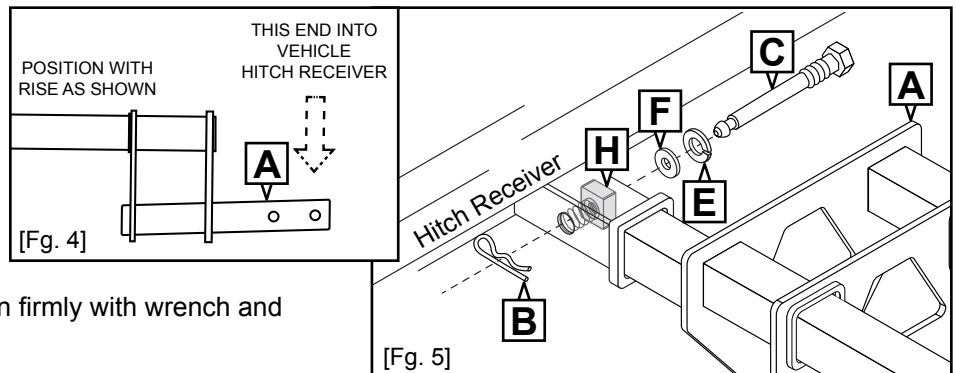
The TwinTube [A] shank end contains two mounting holes. [Fig.2] Use the second hole in from the end. If more clearance is needed, you may use the first hole in from the end.



STEP 2 REQUIRED TOOL: 7/8" WRENCH

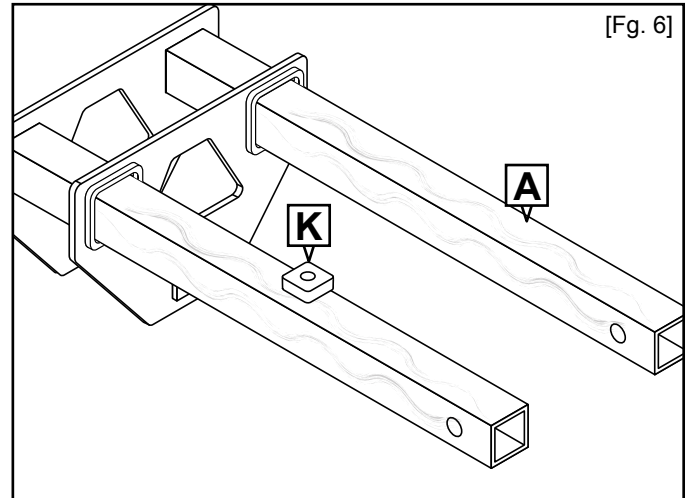
Slide the TwinTube [A] shank into the receiver with the 5 inch rise positioned above the hitch as shown. Align the mounting hole with Spring Nut [H] and the receiver hitch. [Fig.4]

Insert the Silent Hitch Pin [C] with a 5/8in Lock Washer [E] & 5/8in Flat Washer [F] into the receiver hole and thread through the Spring Nut [H]. Tighten firmly with wrench and secure with Retainer Clip [B]. [Fig. 5]



STEP 3

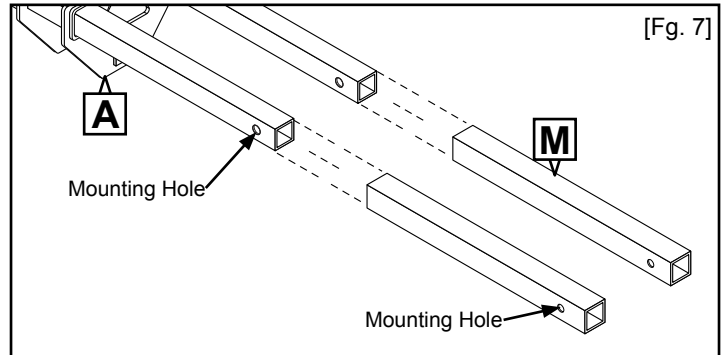
Rub all four sides of the TwinTube **[A]** Spine with Wax Block **[K]**. [Fig. 6 & 8]



STEP 4

Insert the female Slide Tubes **[M]** all the way onto the fixed tubes of the TwinTube **[A]** Spine. [Fig. 7]

Be sure that the mounting holes on the TwinTube **[A]** and Slide Tubes **[M]** align and that the small hole at the end of the tub is facing down.



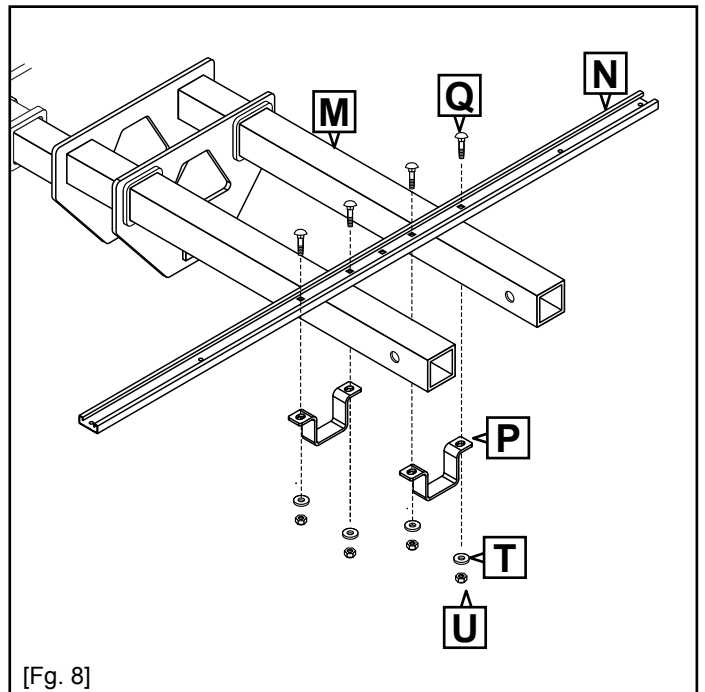
STEP 5 REQUIRED TOOL: 1/2" WRENCH

Set the one (1) Wing Track **[N]** on top of the Slide Tubes **[M]**.

Place two (2) Hat Brackets **[P]** underneath the Slide Tubes **[M]** so the Hat Brackets wrap around the Slide Tubes and align with the holes located along the Wing **[N]** as shown.

Using two (2) 5/16in Carriage Bolts **[Q]**, two (2) 5/16in Carriage Washers **[T]**, and two (2) 5/16in Nylock Nuts **[U]** per Hat Bracket **[P]**, connect the Hat Brackets to the Wing **[N]**. [Fig. 8]

Hand tighten only at this time, further adjustment will be required before final assembly.

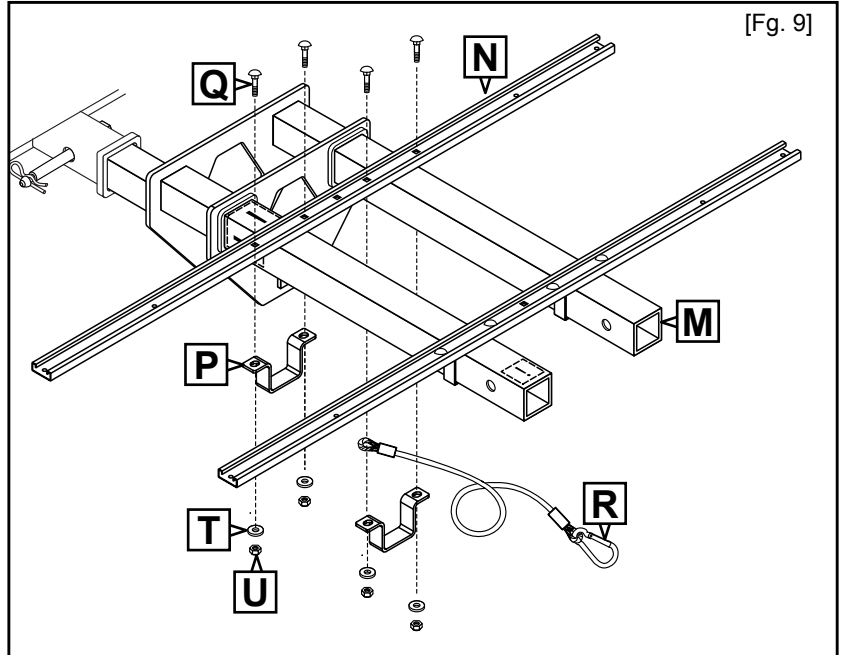


STEP 6 REQUIRED TOOL: 1/2" WRENCH

On the side of the base that is closest to the vehicle, in the same manner as STEP 5, attach the remaining Wing [N] to the Slide Tube [M] using two (2) Hat Bracket Assemblies [P, Q, T, & U], **adding** the "looped end" of the Safety Cable [R] between the Hat Bracket and Wing on one side only. [Fig. 9]

IMPORTANT: The Safety Cable [R] must be placed on the interior of the Slide Tube [M] and on the side of the Wing [N] that is **closest** to the vehicle.

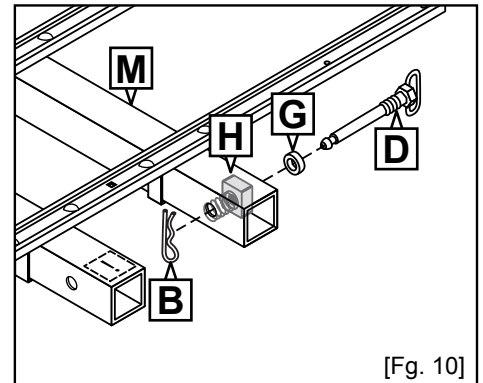
Hand tighten only at this time, further adjustment will be required before final assembly (see STEP 10).



STEP 7

Insert the Handle Silent Hitch Pin with Handle and Plastic Bushing [D, G] through the end with Spring Nut [H] installed in STEP 2, engage threads, tighten firmly and secure with Retainer Clip [B]. [Fig.10]

NOTE: The Silent Hitch Pin with Handle [D] controls the slide-out function of the platform. Once installation is complete, the Silent Hitch Pin with Handle may be removed in order to slide the carrier rearward for rear hatch access when vehicle is stationary.



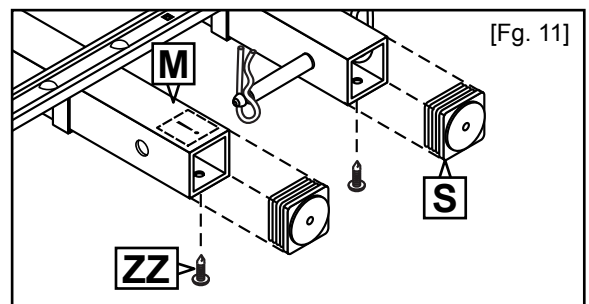
⚠ WARNING:

Never operate the vehicle without the Silent Hitch Pin with Handle fully secured. Failure to follow proper procedures may result in bodily injury and property damage.

STEP 8

Install the Reflector End Caps [S] over both ends of each Slide Tube [M] and secure with one (1) #10 K-Lath Tex Screw [ZZ] each. [Fig.11]

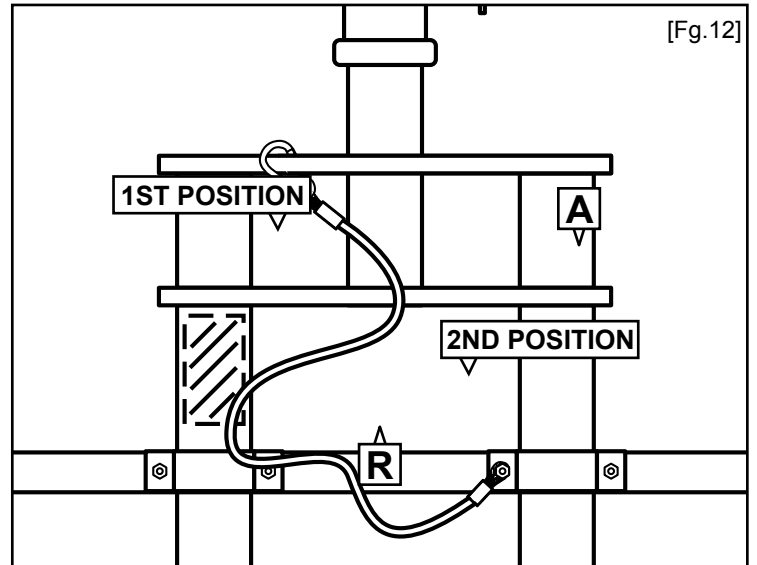
TIP: Reflector End Caps are a tight fit.



STEP 9

Attach the carabiner to the Safety Cable [R]. From underneath the carrier, connect the carabiner end of the Safety Cable [R] to the "1st Position" hole in the frame of the TwinTube [A]. [Fig.12]

NOTE: The Safety Cable [R] can be secured in two positions. Secure the Safety Cable to the first position. For maximum installed clearance needs, the second position may be used.



▲ WARNING:

Never operate the carrier's slide-out function without the Safety Cable [R] fully secured. Failure to follow proper procedures may result in bodily injury and property damage.

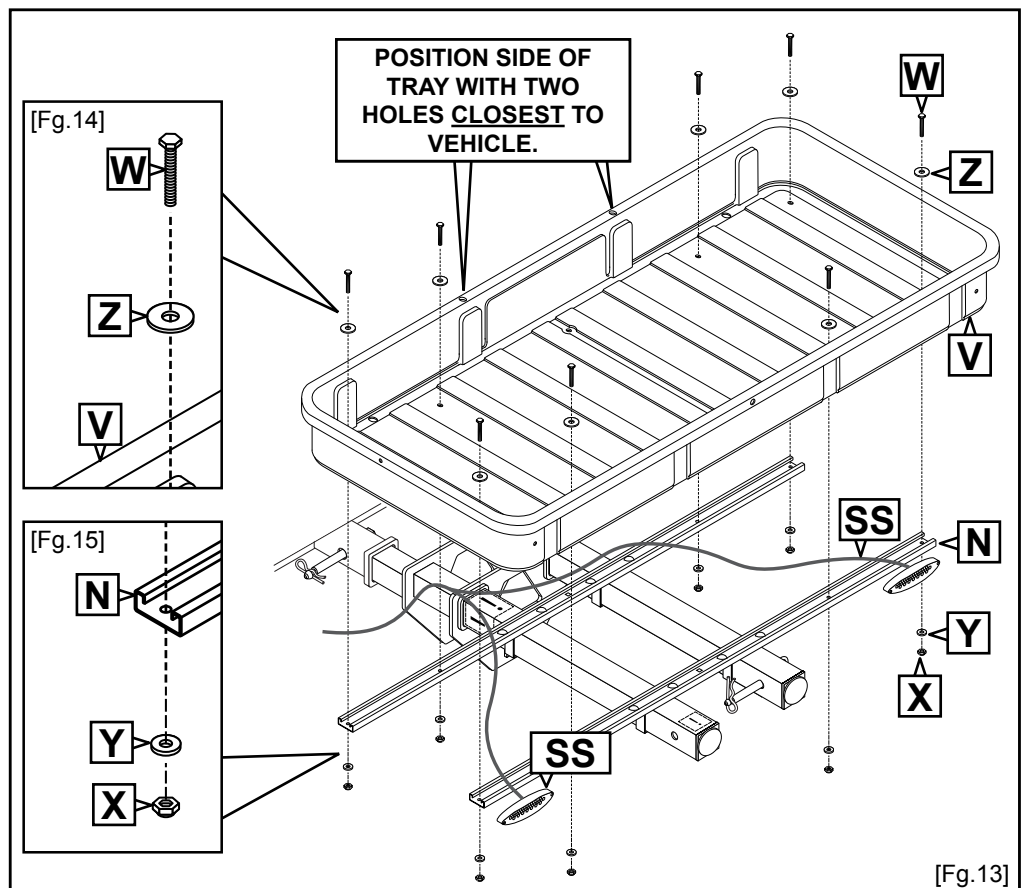
STEP 10: REQUIRED TOOL: 10MM SOCKET OR WRENCH

Place the LED Light wiring [SS] over the wings pointing the left and right Lights towards their respective corners and the 4-flat connection towards the vehicle.

Place the Tray [V] over the Wiring [SS] and Wings [N] and line up the holes in the tray with the holes in the Wings.

Install a 1/4-20 Hex Head Bolt [W] and a 1/4" x 1-1/4" Fender Washer [Z] in each hole in the bottom of the Tray [V] through to the Wings [N]. Secure each bolt to the Wing with a 1/4" Flat Washer [Y] and a 1/4-20 Nylock Nut [X]. [Fig. 13]

NOTE: The *larger* 1/4" x 1-1/4" Fender Washer [Z] must be installed inside of the carrier while the *smaller* 1/4" Flat Washer [Y] must be installed from underneath the carrier. [Fig. 14 & 15]



STEP 11 REQUIRED TOOL: 1/2" WRENCH

With the Hat Brackets [P] from STEP 5 & 6 still loosely secured, position the carrier along the Slide Tubes [M] to adjust for required vehicle clearances (user discretion). Once the final clearance adjustments are made, verify Slide Tubes are slid all the way against the Rubber Bumpers [L] and fully secure all Hat Brackets [P] and hardware from Steps 5 & 6.

NOTE: Users wanting *less clearance* between the tow vehicle and carrier should position the Hat Brackets [P] closer to the vehicle on the Slide Tubes [M] [Figure 16].

NOTE: Users wanting *more clearance* between the tow vehicle and carrier should position the Hat Brackets [P] further away from the the vehicle on the Slide Tubes [M] [Figure 17].

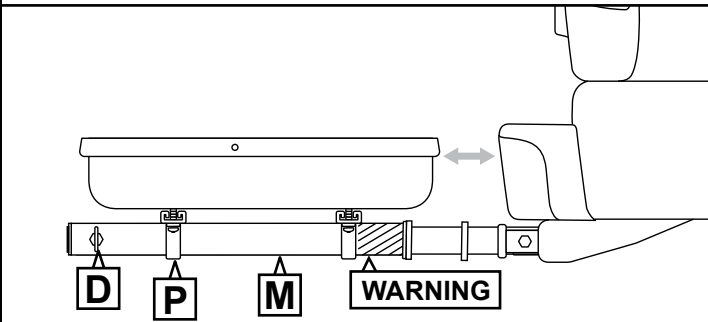
IMPORTANT: The Hat Brackets [P] must be positioned forward of the Handle Silent Hitch Pin [D] location. Be sure to allow room for the Silent Hitch Pin with Handle to turn and operate as required.

⚠ WARNING:



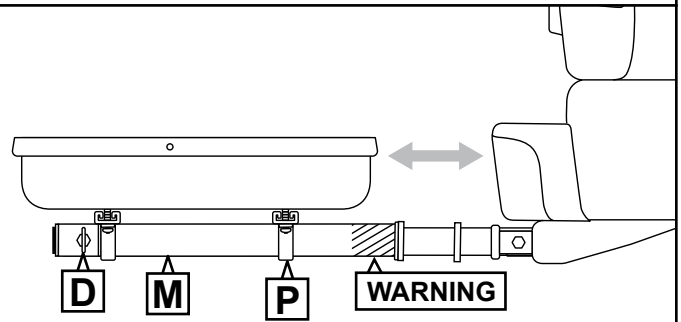
DO NOT ALLOW HAT BRACKETS [P] TO OVERLAP THE 3.5" WARNING LABEL LOCATED ON ON THE SLIDE TUBE. Failure to do so will permit over-extension of the safety cable allowing the capsule to slide off and cause damage or personal injury.

MIN INSTALLED CLEARANCE



[Fig. 16]

MAX INSTALLED CLEARANCE

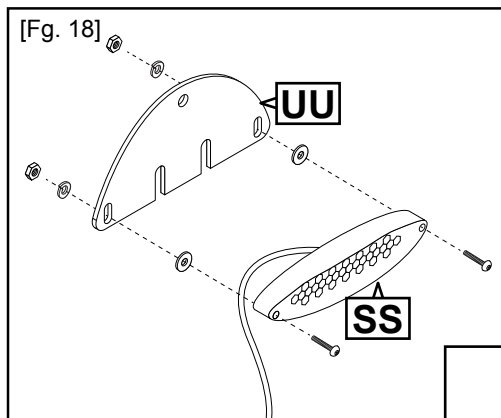


[Fig. 17]

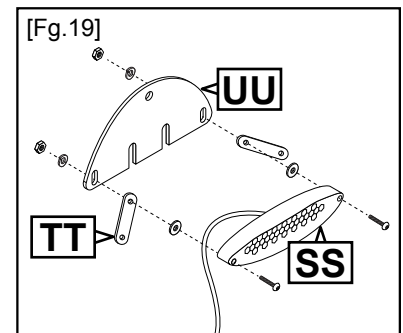
STEP 12 REQUIRED TOOL: 7MM WRENCH & PHILLIPS HEAD SCREW DRIVER, TWO (2) 7/16 WRENCH OR SOCKET (OPTIONAL)

Mount each LED Light onto a LED Mount Bracket [UU] with supplied hardware in the order shown. [Fig. 18]

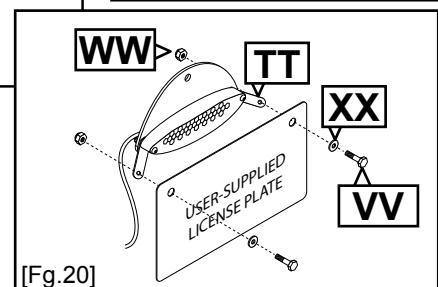
OPTIONAL: Optional License Plate Brackets [TT] may also be included in-between supplied hardware on one LED Light only, as shown for the mounting of a vehicle license plate. [Fig. 21]



[Fig. 18]



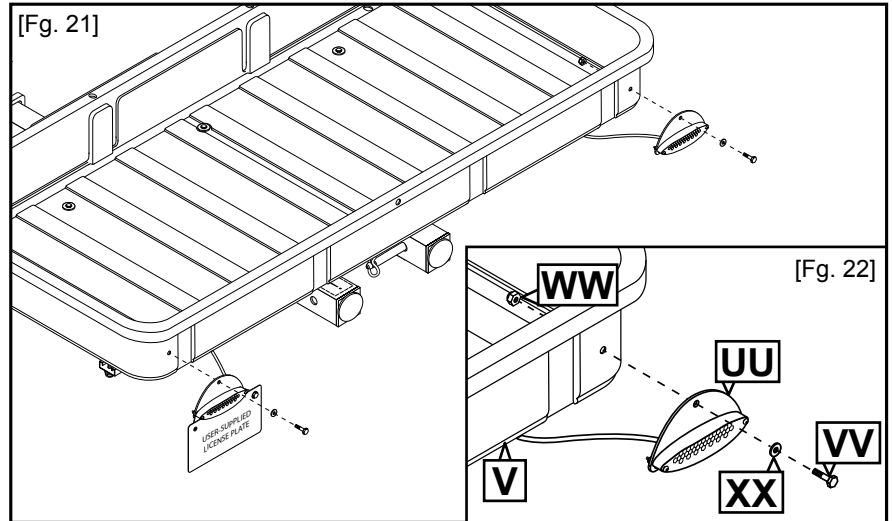
[Fig. 19]



[Fig. 20]

STEP 13 REQUIRED TOOL: TWO (2) 7/16 WRENCH OR SOCKET

Install the LED Lights Kits onto the Tray [V] using two (2) Hex Bolts [VV], two (2) Flat Washers [XX], and two (2) Nylock Nuts [WW] (one for each light) to mount the LED Light Bracket [UU]. [Fig. 21 & 22]

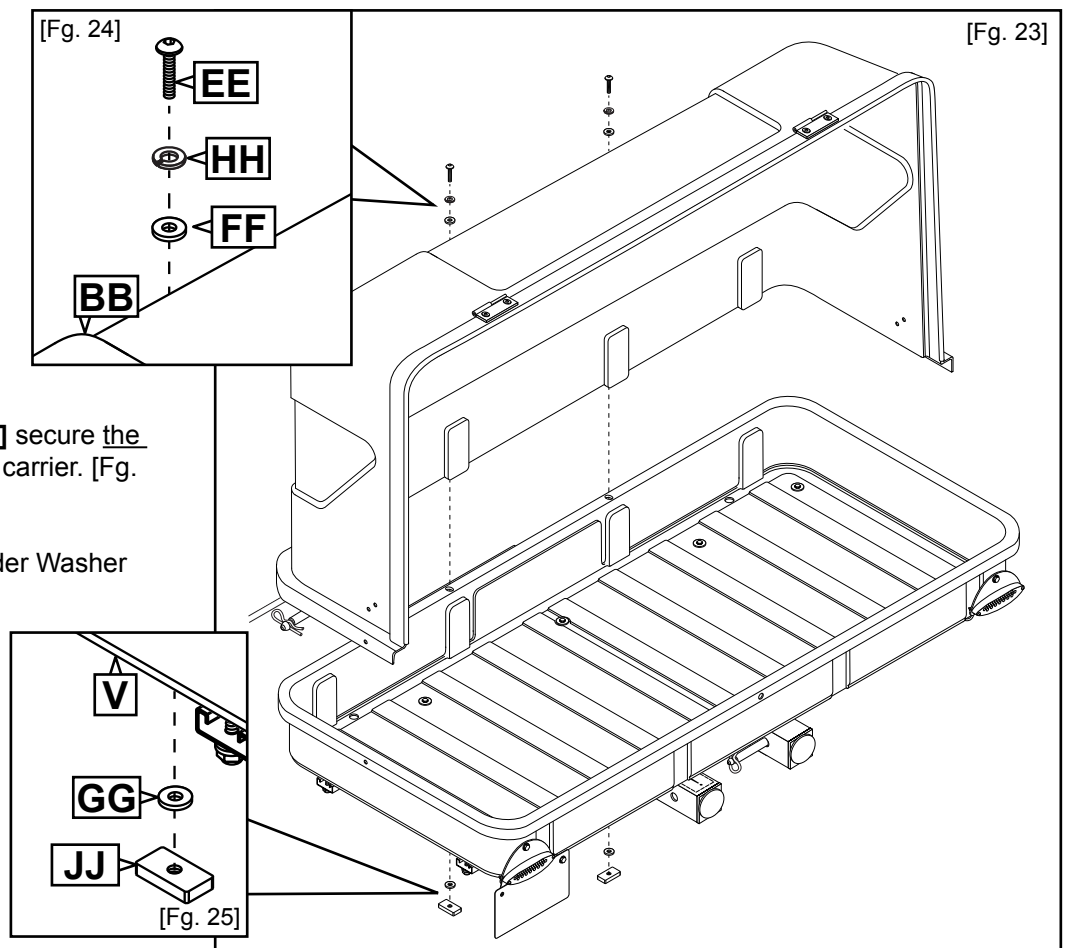


STEP 14 REQUIRED TOOL: 7/16" SOCKET & 5/32" ALLEN WRENCH

Place the Fixed Lid [BB] on the side of the Tray [V] nearest the vehicle. Align the four (4) holes (two holes on the back of the tray, one hole on each side) of the Lid with the holes in the Tray.

Using two (2) 1/4-20 x 1" Button Socket Head Cap Bolt [EE], two (2) 1/4-20 Lock Washers [HH], two (2) 1/4" x 1" Fender Washer [FF], two (2) 1/4" Washer [GG] and two (2) 1/4-20 Weld Nut [JJ] secure the holes located in the back of the carrier. [Fig. 23]

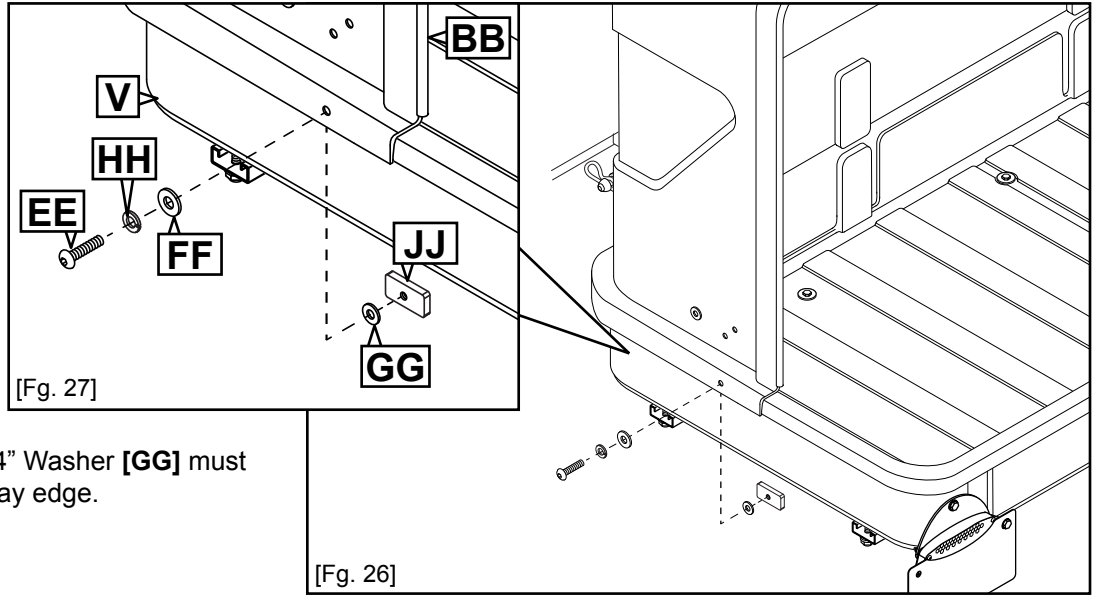
NOTE: The larger 1/4" x 1" Fender Washer [FF] must be installed on top of the Fixed Lid while the smaller 1/4" Washer [GG] must be installed from underneath the Tray edge. [Fig. 24 & 25]



STEP 15 REQUIRED TOOL: 7/16" SOCKET & 5/32" ALLEN WRENCH

Using two (2) 1/4-20 x 1" Button Socket Head Cap Bolt [EE], two (2) 1/4-20 Lock Washers [HH], two (2) 1/4" x 1" Fender Washer [FF], two (2) 1/4" Washer [GG] and two (2) 1/4-20 Weld Nut [JJ] secure the holes located on the sides of the Tray [V]. [Fig. 26 & 27]

NOTE: The larger 1/4" x 1" Fender Washer [FF] must be installed on the outside of the Fixed Lid while the smaller 1/4" Washer [GG] must be installed from inside the Tray edge.



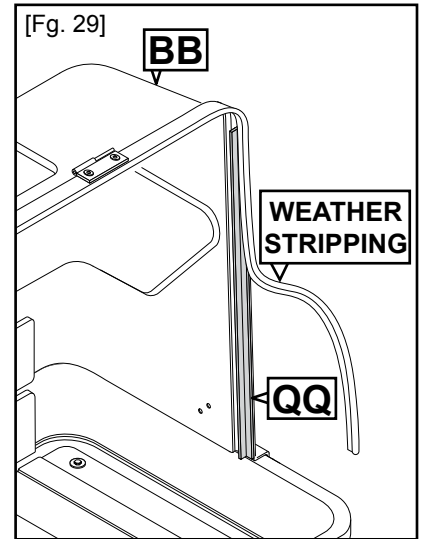
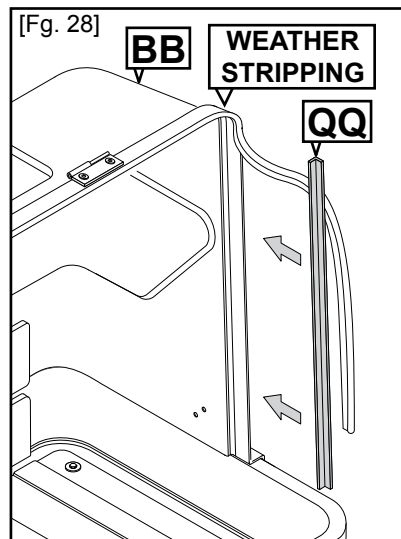
STEP 16

Pull the weather-stripping away from the vertical edges of the Fixed Lid [BB].

Position and align the Angles [QQ] on the inside of the Fixed Lid [BB] as shown. [Fig. 28]

Working from the top of the Angle [QQ], reinstall the weather-stripping over the edge of the Angle held against the lid (be sure to hold the angle completely flush with the edge of the carrier until fully installed). [Fig. 29]

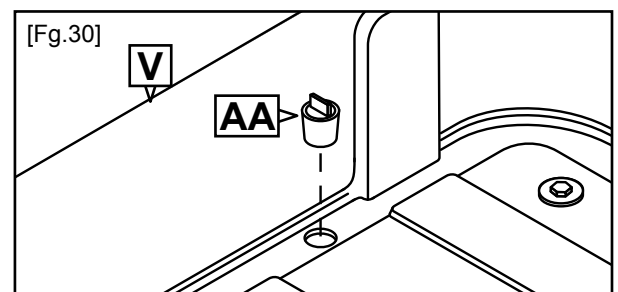
Crimp the lip of the weather-stripping over the Fixed Lid [BB] and Angle [QQ] to provide a tight grip.



Weather Stripping may disengage from lid during transit due to unnatural pressure from tightly nested lid during shipping. Simply follow procedures to re-apply.

STEP 17

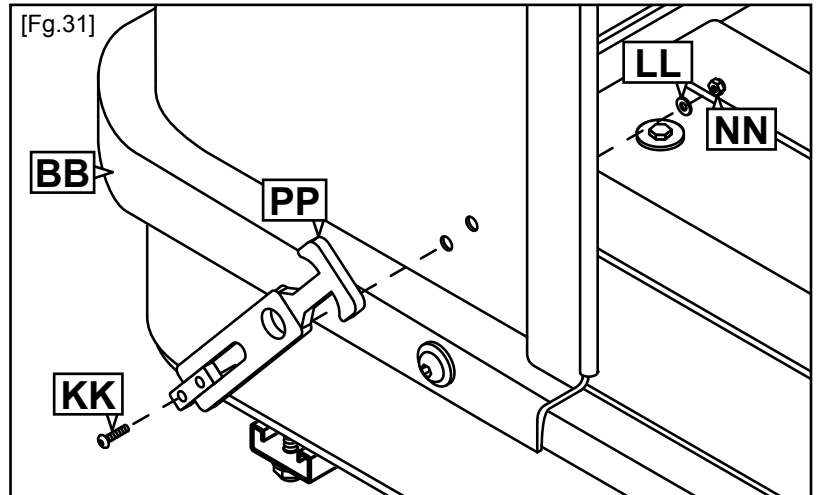
Install all four (4) Drain Plugs [AA] into the large holes in the bottom of the Tray [V]. [Fig. 30]



STEP 18 REQUIRED TOOL: 3/8" WRENCH & PHILLIPS SCREW DRIVER

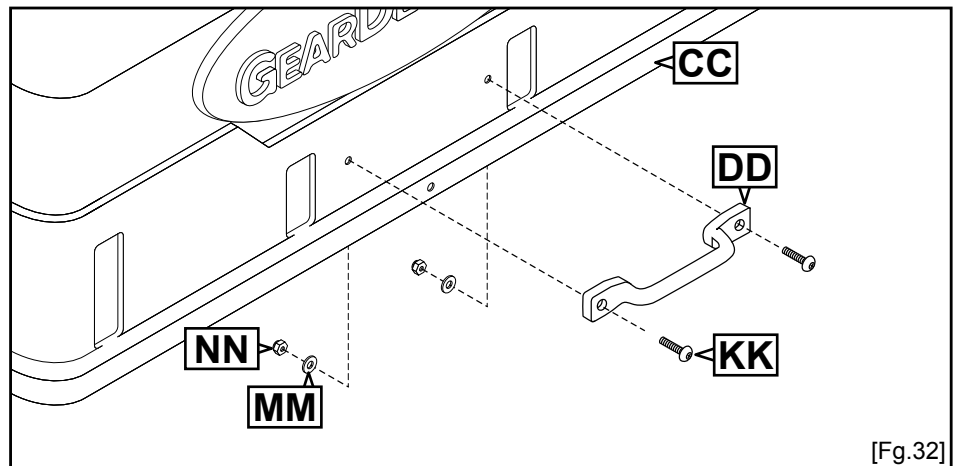
Install one (1) Rubber Latch [PP] onto each side of the Fixed Lid [BB] using two (2) 10x24-1 Phillips Pan Screw [KK], two (2) #10 Washers [LL] and two (2) 10-24 Nylock [NN] on each side. [Fig. 31]

NOTE: Though only one bolt is shown in Fig. 34 for clarity, two (2) Phillips Pan Screw [KK] per latch are needed.



STEP 19 REQUIRED TOOL: 3/8" WRENCH & PHILLIPS SCREW DRIVER

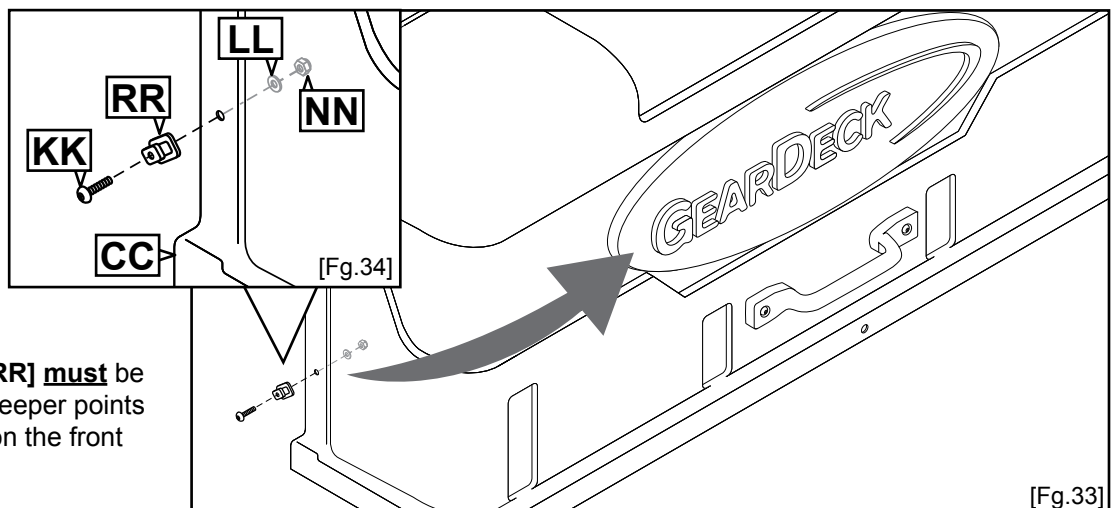
Install Handle [DD] onto the Pivot Lid [CC] (with the GearDeck Logo) where holes have been pre-drilled using 10x24-1 Phillips Pan Screws [KK] secured on the inside with 3/16" x 1" Fender Washers [MM], and 10-24 Nylock Nuts [NN]. [Fig. 32]



STEP 20 REQUIRED TOOL: 3/8" WRENCH & PHILLIPS SCREW DRIVER

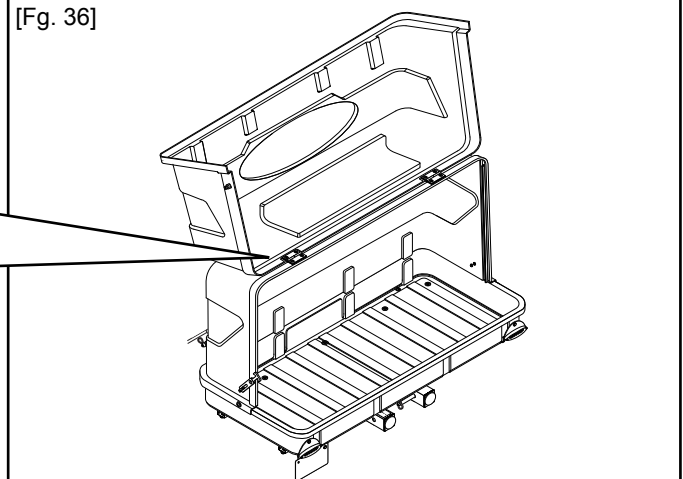
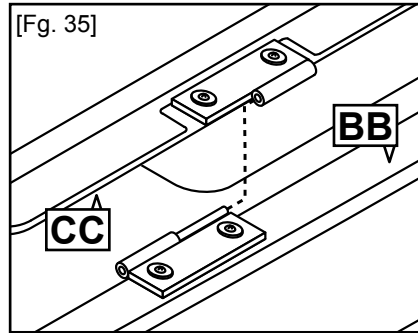
Install one Latch Keeper [RR] onto each side of the Pivot Lid [CC] where holes have been pre-drilled using 10x24-1 Phillips Pan Screws [KK] secured on the inside with one (1) #10 Washer [LL] and one (1) 10-24 Nylock Nuts [NN]. [Fig. 34]

NOTE: The Latch Keeper [RR] must be installed so that the Latch Keeper points *toward* the GearDeck logo on the front of the lid as shown. [Fig. 33]



STEP 21

Slide hinges on the Pivoting Lid [CC] over the hinge posts on the fixed Lid [BB] and close the lid. [Fig. 35 & 36]



NOTE: A slight offset is provided on the Driver Side hinge as an alignment aid to attaching and removing the pivoting lid to the fixed lid.

Vehicle and Hitch Receiver Compliance

This Carrier fits 2" size hitch receivers and is rated for a Class II tow capability or higher. Before using this product, consult your vehicle and hitch receiver owner manual(s) for details on your tow and tongue weight parameters. Be sure that they are compatible with carrier's weight specifications. Never exceed vehicle or hitch weight limits.

Carrier Weight and Load Parameters

The GearDeck weighs 80 lbs unloaded. To determine your available load weight in accordance with your vehicle and hitch receiver's tongue weight rating, subtract GearDeck's 80 lbs from your identified tongue weight rating. The difference represents your vehicle and hitch receiver's available load weight.

The GearDeck is rated for up to 420 lbs of cargo weight carrying capacity for a combined weight of 500 lbs when fully weight loaded.

Sliding Out Carrier & Clearance Adjustability

To telescope the GearDeck, remove the Silent Hitch Pin® with Handle from the Slide Tube's Safety pin hole. Verify that the Safety Cable is secured and then slide the frame to the rear. When adjusting the position of capsule clamps for added clearance needs, be sure to adhere to NO USE AREA distance of 3.5 inches rearward from Spine's vertical plate along the frame tubes.

Lighting

Connect the 4-flat wire plug to vehicle trailer lighting. Check running lights, brake lights, and turn signals before operation. Check the wire harness for good connections and for possible fraying or wearing of insulation if a light signal is not functioning. Check lights before each use.

Closing Lid & Lock Up

Always secure draw latches on both sides of GearDeck before transit. A hole is tapped on the Pivot Lid and Tray for use of a lock (not included). A padlock works well.

WARRANTY:

Let's Go Aero Systems Three-Year Limited Warranty
For information and to register online at www.LetsGoAero.com/warranty

▲WARNING:

Always check and confirm all bolts and connections are tight and fully secured and Rubber Latches are fully secured over the Pivoting Lid of the carrier before transit. Failure to follow proper installation and equipment checks before transit may result in damage to carrier, damage to property, bodily injury or death.

▲CAUTION:

Car vehicle exhaust can cause a hazard. As a precaution, position carrier clear of exhaust.

LES PIÈCES

PARTS

QTY. DESCRIPTION

A	1 COLONNE TWINTUBE®
B	2 CLIP DE RETENUE
C	1 5/8" SILENT HITCH PIN®
D	1 5/8" SILENT HITCH PIN® 5/8" À POIGNÉE
E	1 5/8" RONDELLE DE VERROUILLAGE
F	1 5/8" RONDELLE PLATE
G	1 5/8" BAGUE EN PLASTIQUE
H	2 5/8" ÉCROU À RESSORT
K	1 PARAFFINE
L	2 BUTOIR EN CAOUTCHOUC
M	2 TUBES COULISSANTS
N	2 PISTE D'AILE
P	4 ÉQUERRE EN U
Q	8 BOULONS DE CARROSSERIE 5/16" X 1
R	1 CÂBLE DE SÉCURITÉ (AVEC LIAISON RAPIDE)
S	2 CAPUCHONS D'EXTRÉMITÉ DE RÉFLECTEUR, 2 1/4"
T	8 RONDELLES 5/16"
U	8 ÉCROUS DE BLOCAGE 5/16"
V	1 PLATEAU
W	10 BOULONS HEXAGONAUX 1/4-20
X	8 ÉCROUS DE BLOCAGE 1/4-20
Y	8 RONDELLE PLATE 1/4"
Z	8 RONDELLE LARGE 1/4" X 1 1/4"

PARTS

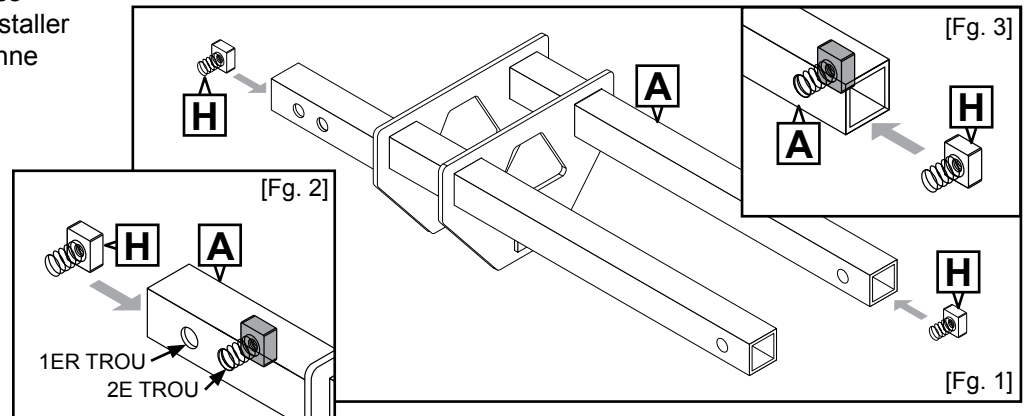
QTY. DESCRIPTION

AA	4 BOUCHONS DE VIDANGE
BB	1 COUVERCLE FIXE
CC	1 COUVERCLE PIVOTANT (AVEC LOGO)
DD	1 POIGNÉE
EE	4 VIS À TÊTE BOUTON 1/4-20 X1"
FF	4 1/4 X 1" RONDELLE LARGE 1/4 X 1"
GG	4 RONDELLE PLATE 1/4"
HH	4 RONDELLE DE VERROUILLAGE 1/4-20
JJ	4 ÉCROU À SOUDER 1/4-20
KK	8 VIS À TÊTE CYLINDRIQUE CRUCIFORME 10X24-1
LL	6 RONDELLE N° 10
MM	2 RONDELLE LARGE 3/16 X 1
NN	8 ÉCROU DE BLOCAGE 10-24
PP	2 VERROU EN CAOUTCHOUC
QQ	2 CORNIÈRES
RR	2 GÂCHE DE VERROU
SS	2 VOYANT LED
TT	2 SUPPORT DE PLAQUE D'IMMATRICULATION À LED
UU	2 SUPPORT DE MONTAGE DE LED
VV	4 BOULON HEXAGONAL
WW	4 ÉCROU DE BLOCAGE
XX	4 RONDELLE PLATE
YY	2 VIS K-LATH TEX

ÉTAPE 1

Déposer les écrous à ressort [H] des goupilles d'attelage silencieux et installer deux écrous à ressort dans la colonne TwinTube [A], comme illustré.

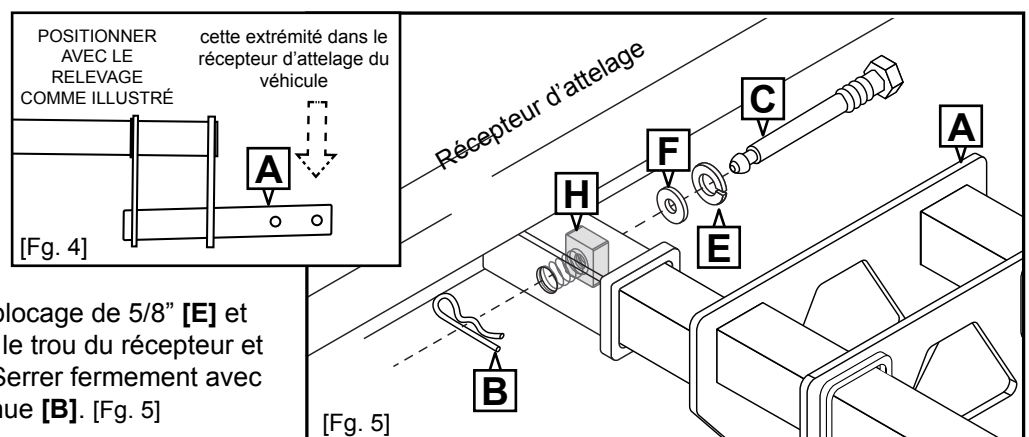
L'extrémité de tige TwinTube [A] contient deux trous de montage. Utiliser l'intérieur du deuxième trou en partant de l'extrémité. Si un dégagement plus important est nécessaire, vous pouvez utiliser l'intérieur du premier trou en partant de l'extrémité.



ÉTAPE 2 OUTIL REQUIS : CLÉ 7/8"

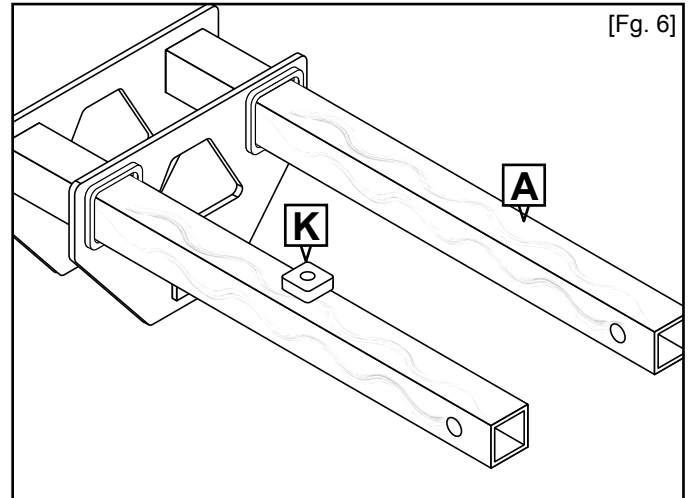
Faire glisser la tige TwinTube [A] dans le récepteur avec le relevage de 12,7 cm positionné au-dessus de l'attelage, comme illustré. Aligner le trou de montage avec l'écrou à ressort [H] et l'attelage du récepteur. [Fig. 4]

Insérer la goupille d'attelage silencieuse [C] avec une rondelle de blocage de 5/8" [E] et une rondelle plate de 5/8" [F] dans le trou du récepteur et l'enfiler dans l'écrou à ressort [H]. Serrer fermement avec une clé et fixer avec le clip de retenue [B]. [Fig. 5]



ÉTAPE 3

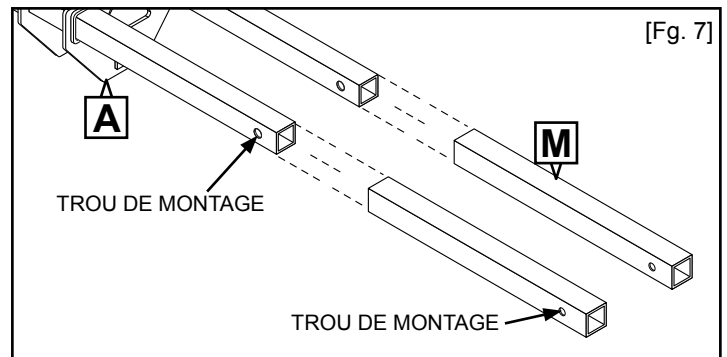
Frotter les quatre côtés de la colonne TwinTube **[A]** avec le bloc de paraffine **[K]**. [Fig. 6]



ÉTAPE 4

Insérer complètement les tubes coulissants femelles **[M]** sur les tubes fixes de la colonne TwinTube **[A]**. [Fig. 7]

S'assurer que les trous de montage du TwinTube **[A]** et des tubes coulissants **[M]** sont alignés et que le petit trou à l'extrémité du tube est orienté vers le bas.



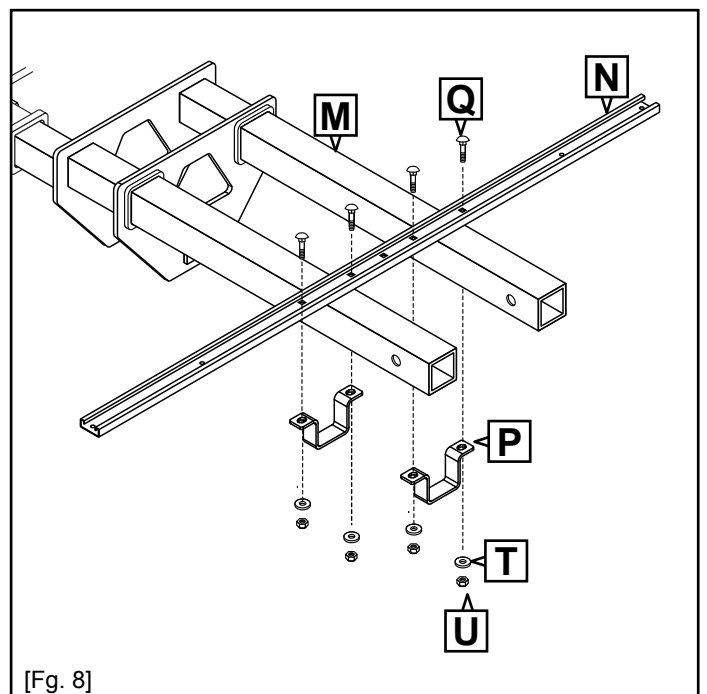
ÉTAPE 5 OUTIL REQUIS : CLÉ 1/2"

Placer une (1) piste d'aile **[N]** sur les tubes coulissants **[M]**.

Placer deux (2) équerres en U **[P]** sous les tubes coulissants **[M]** de manière à ce que les équerres en U ensèrent les tubes coulissants et s'alignent sur les trous situés le long de l'aile **[N]**, comme illustré.

À l'aide de deux (2) boulons de carrosserie de 5/16 po **[Q]**, deux (2) rondelles carrossier de 5/16 po **[T]**, et deux (2) écrous de blocage de 5/16 po **[U]** par équerre en U **[P]**, connectez les équerres en U à l'aile **[N]**. [Fig. 8]

Serrer juste à la main à ce stade, un réglage supplémentaire sera nécessaire avant le montage final.

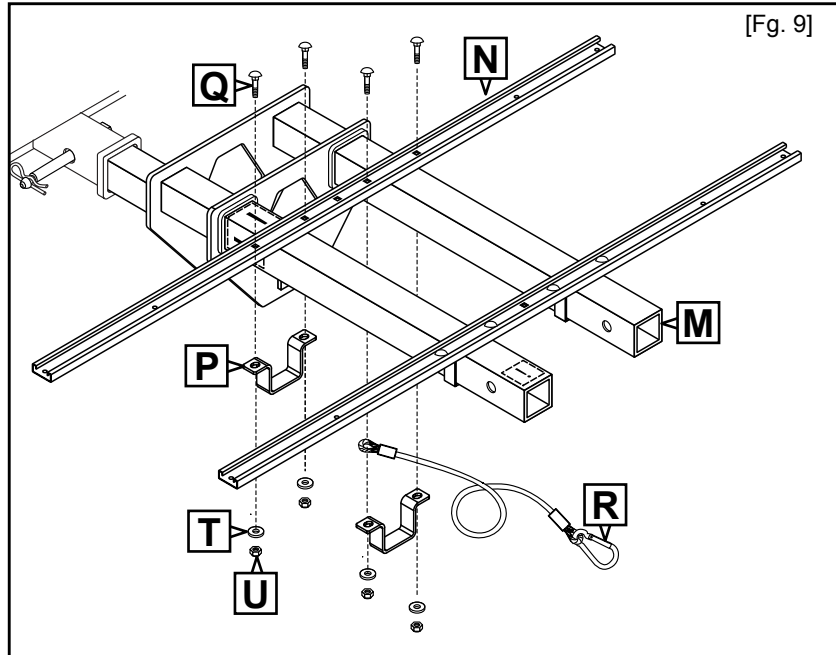


ÉTAPE 6 OUTIL REQUIS : CLÉ 1/2"

Sur le côté de la base le plus proche du véhicule, comme à L'ÉTAPE 5, fixer l'aile restante [N] au tube coulissant [M] à l'aide de deux (2) ensembles d'équerre en U [P, Q, T et U], **en ajoutant** l'« extrémité en boucle » du câble de sécurité [R] entre l'équerre en U et l'aile d'un seul côté. [Fig. 9]

IMPORTANT : le câble de sécurité [R] doit être placé à l'intérieur du tube coulissant [M] et sur le côté de l'aile [N] le plus proche du véhicule.

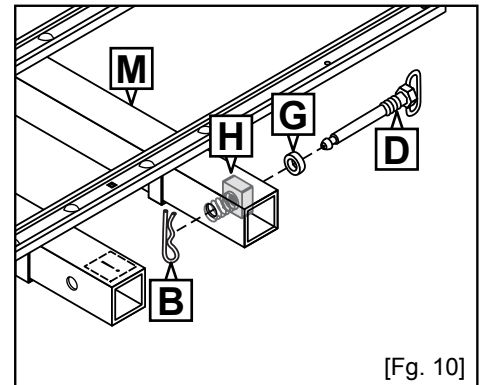
Serrer juste à la main à ce stade, un réglage supplémentaire sera nécessaire avant le montage final (voir ÉTAPE 10).



ÉTAPE 7

Insérer la goupille d'attelage silencieux à poignée avec la poignée et la bague en plastique [D, G] jusqu'au bout avec l'écrou à ressort [H] installé à L'ÉTAPE 2, engager les filetages, serrer fermement et fixer avec le clip de retenue [B]. [Fig.10]

REMARQUE : la goupille d'attelage silencieux à poignée [D] commande la fonction de coulissement vers l'extérieur de la plate-forme. Une fois l'installation terminée, la goupille d'attelage silencieux à poignée peut être retirée afin de faire glisser le support vers l'arrière pour accéder à la trappe arrière lorsque le véhicule est à l'arrêt.



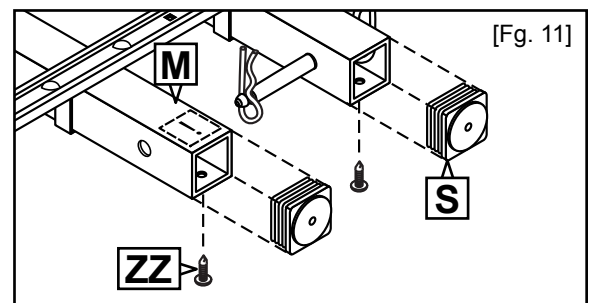
▲ AVERTISSEMENT:

Ne jamais utiliser le véhicule sans que la goupille d'attelage silencieux ne soit complètement fixée. Le non-respect des procédures appropriées peut entraîner des blessures corporelles et des dommages matériels.

ÉTAPE 8

Installer les capuchons d'extrémité du réflecteur [S] sur les deux extrémités de chaque tube coulissant [M] et fixer chaque capuchon à l'aide d'une (1) vis K-Lath Tex [ZZ] n° 10. [Fig.11]

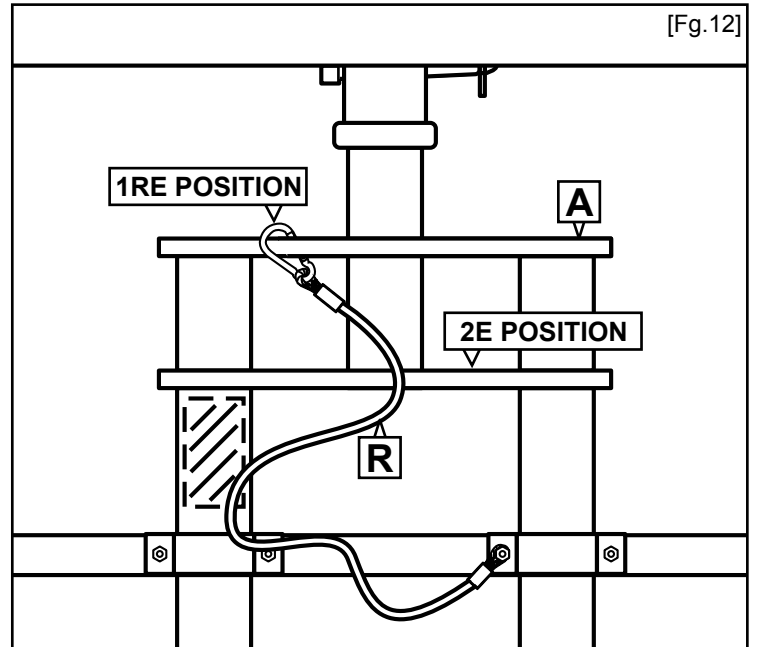
CONSEIL : les capuchons d'extrémité du réflecteur doivent être bien serrés.



ÉTAPE 9

Fixer le mousqueton au câble de sécurité [R]. Depuis le dessous du porte-bagages, connecter l'extrémité du mousqueton du câble de sécurité au trou « 1re position » dans le cadre du TwinTube [A].

REMARQUE : le câble de sécurité [R] peut être fixé dans deux positions. Fixer le câble de sécurité sur la première position. Pour un dégagement maximal, la deuxième position peut être utilisée.



▲ AVERTISSEMENT:

Ne jamais utiliser la fonction de coulissement vers l'extérieur du porte-bagages sans que le câble de sécurité [R] soit bien fixé. Le non-respect des procédures appropriées peut entraîner des blessures corporelles et des dommages matériels.

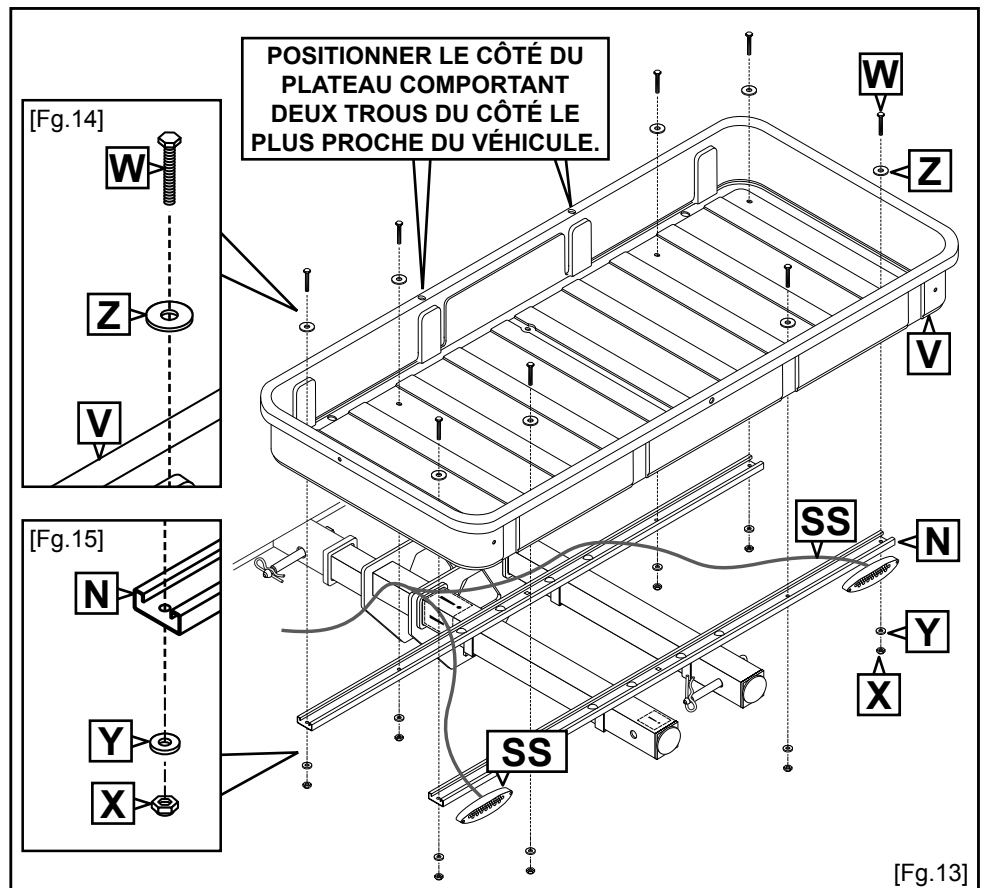
ÉTAPE 10 OUTIL REQUIS : CLÉS OU DOUILLES 10MM

Placer le câblage des voyants LED [SS] sur les ailes en orientant les feux gauche et droit vers leurs coins respectifs et le connecteur plat à 4 contacts vers le véhicule.

Placer le plateau [V] sur le câblage [SS] et les ailes [N] et aligner les trous du plateau avec les trous des ailes.

Installer un boulon à tête hexagonale 1/4-20 [W] et une rondelle large 1/4" x 1-1/4" [Z] dans chaque trou du bas du plateau [V] à travers les ailes [N]. Fixer chaque boulon à l'aile à l'aide d'une rondelle plate 1/4" [Y] et d'un écrou de blocage 1/4-20 [X]. [Fig. 13]

REMARQUE : la plus grande rondelle large 1/4" x 1-1/4" [Z] doit être installée à l'intérieur du support, tandis que la plus petite rondelle plate 1/4" [Y] doit être installée depuis le dessous du support. [Fig. 14 et 15]



ÉTAPE 11 OUTIL REQUIS : CLÉ 1/2"

Les équerres en U [P] des ÉTAPES 5 et 6 étant toujours fixées sans être serrées, positionner le support le long des tubes coulissants [M] pour l'adapter aux dégagements du véhicule requis (à la discrétion de l'utilisateur). Une fois les derniers réglages de dégagement effectués, vérifier que les tubes coulissants sont entièrement glissés contre les butoirs en caoutchouc [L] et fixer complètement toutes les équerres en U [P] et le matériel des étapes 5 et 6.

REMARQUE : les utilisateurs souhaitant réduire le dégagement entre le véhicule de remorquage et le support doivent positionner les équerres en U [P] plus près du véhicule sur les tubes coulissants [M] [Figure 16].

REMARQUE : les utilisateurs souhaitant augmenter le dégagement entre le véhicule de remorquage et le porte-vélos doivent positionner les équerres en U [P] plus loin du véhicule sur les tubes coulissants [M] [Figure 17].

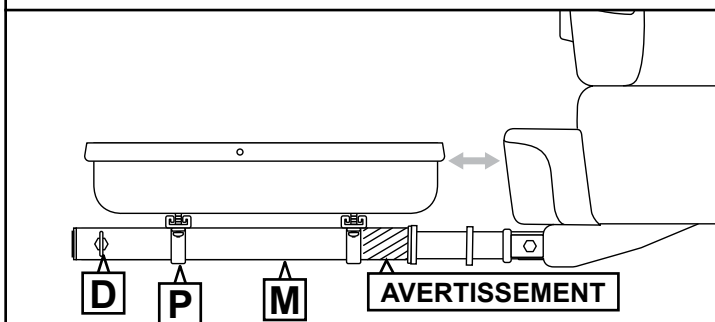
IMPORTANT : les équerres en U [P] doivent être positionnées à l'avant de l'emplacement de la goupille d'attelage silencieux à poignée [D]. Veiller à laisser suffisamment de place pour que la goupille d'attelage silencieux à poignée puisse tourner et fonctionner selon les besoins.

⚠ AVERTISSEMENT:



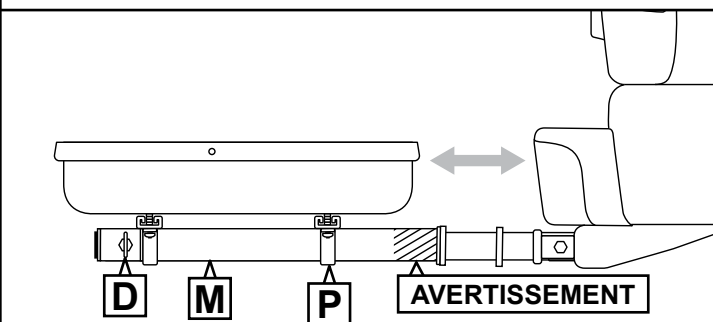
NE PAS LAISSER LES ÉQUERRES EN U CHEVAUCHER L'ÉTIQUETTE D'AVERTISSEMENT DE 3.5 PO SITUÉE SUR LE TUBE COULISSANT. LE NON-RESPECT DE CETTE CONSIGNE PEUT ENTRAÎNER UNE EXTENSION EXCESSIVE DU CÂBLE DE SÉCURITÉ, CE QUI PERMET À LA CAPSULE DE GLISSER HORS DE SA POSITION ET DE PROVOQUER DES DOMMAGES OU DES BLESSURES CORPORELLES.

DÉGAGEMENT MINIMUM INSTALLÉ



[Fig. 16]

DÉGAGEMENT MAXIMUM INSTALLÉ

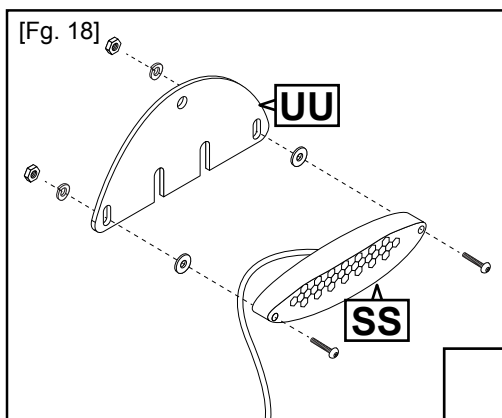


[Fig. 17]

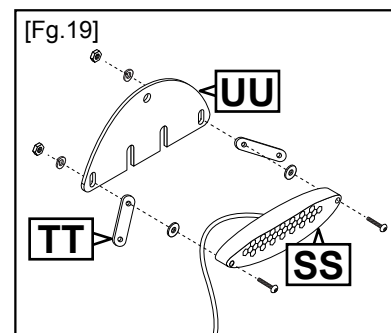
ÉTAPE 12 OUTIL REQUIS : CLÉ DE 7 MM ET TOURNEVIS CRUCIFORME, DEUX (2) CLÉS DE 7/16 OU DOUILLE (EN OPTION)

Monter chaque voyant LED sur un support de montage de LED [UU] à l'aide du matériel fourni dans l'ordre indiqué. [Fig. 18]

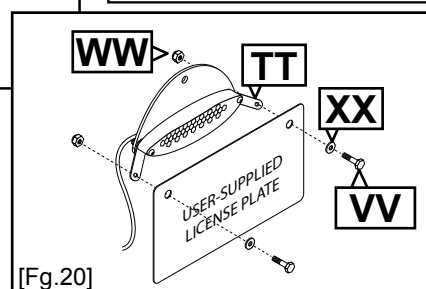
EN OPTION : des supports de plaque d'immatriculation [TT] en option peuvent également être inclus entre les équipements fournis sur un seul voyant LED, comme illustré pour le montage de la plaque d'immatriculation d'un véhicule. [Fig. 21]



[Fig. 18]



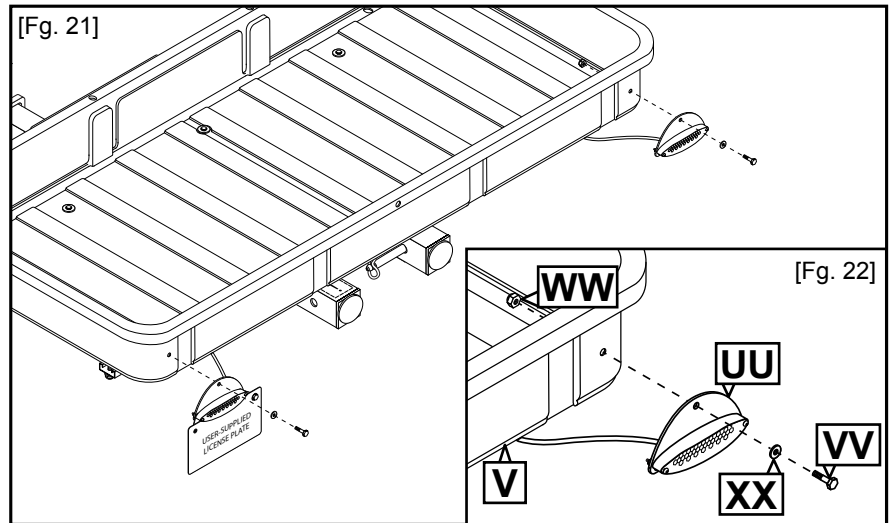
[Fig. 19]



[Fig. 20]

ÉTAPE 13 OUTIL REQUIS : DEUX (2) CLÉS OU DOUILLES 7/16

Installer les kits de voyant LED sur le plateau [V] à l'aide de deux (2) boulons hexagonaux [VV], deux (2) rondelles plates [XX], et deux (2) écrous de blocage [WW] (un pour chaque voyant) pour monter le support de voyant LED [UU]. [Fig. 21 et 22]

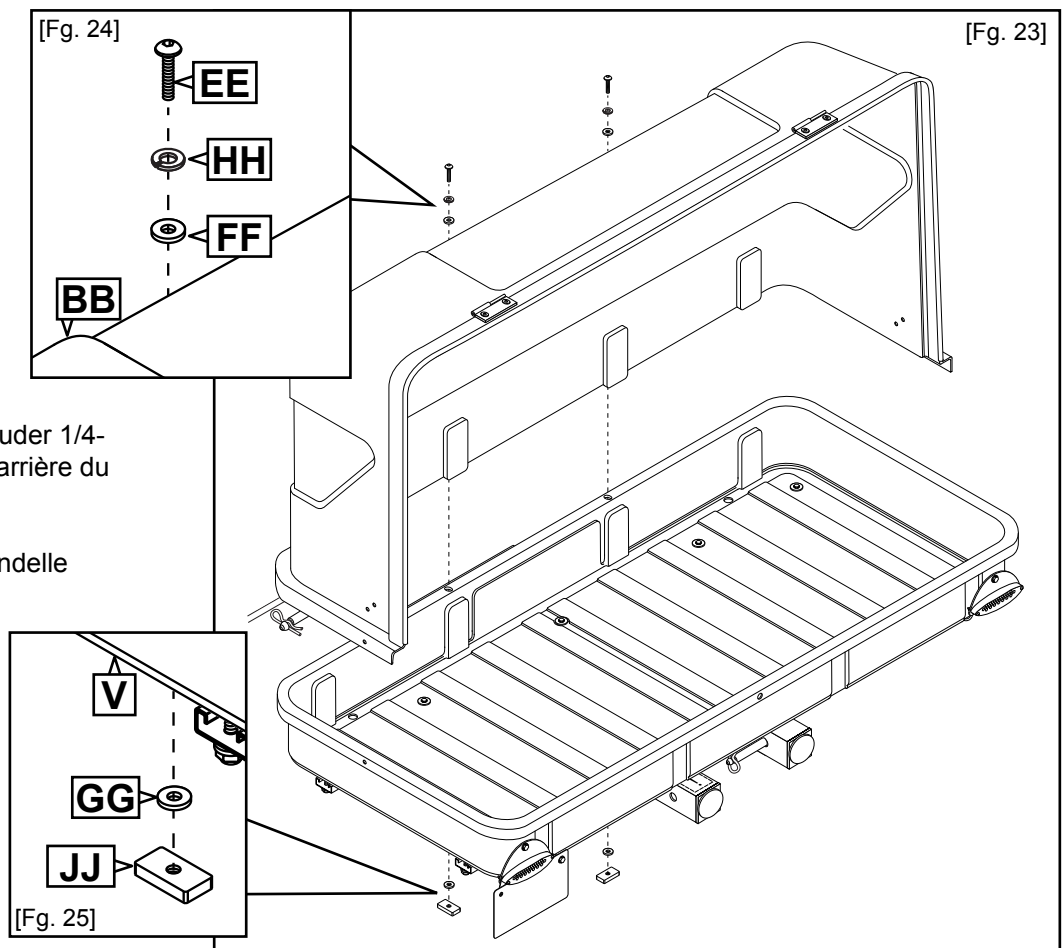


ÉTAPE 14 OUTIL REQUIS : DOUILLE 7/16" ET CLÉ ALLEN 5/32"

Placer le couvercle fixe [BB] sur le côté du plateau [V] le plus proche du véhicule. Aligner les quatre (4) trous (deux trous à l'arrière du plateau, un trou de chaque côté) du couvercle avec les trous du plateau.

À l'aide de deux (2) vis à tête bouton 1/4-20 x 1" [EE], deux (2) rondelle de verrouillage [HH], deux (2) rondelles larges 1/4" x 1" [FF], deux (2) rondelles 1/4" [GG] et deux (2) écrou à souder 1/4-20 [JJ], fixer les trous situés à l'arrière du support. [Fig. 23]

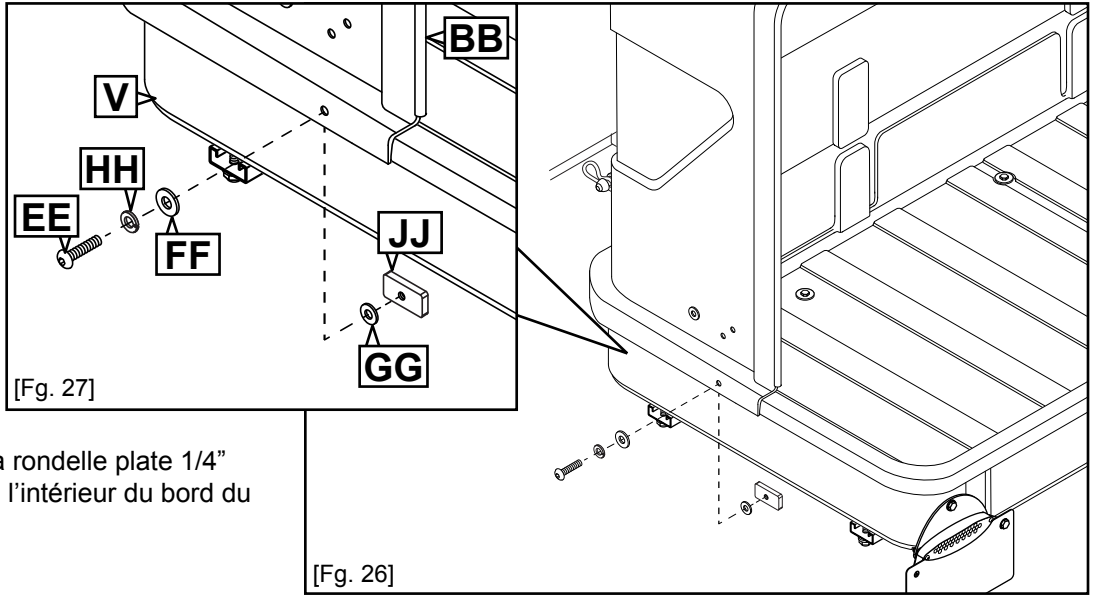
REMARQUE : la plus grande rondelle large 1/4" x 1" [FF] doit être installée au dessus du couvercle fixe tandis que la rondelle plate 1/4" [GG] doit être installée depuis le dessous du bord du plateau. [Fig. 24 et 25]



ÉTAPE 15 OUTIL REQUIS : DOUILLE 7/16" ET CLÉ ALLEN 5/32"

À l'aide de deux (2) vis à tête bouton 1/4-20 x 1" [EE], deux (2) rondelle de verrouillage [HH], deux (2) rondelles larges 1/4" x 1" [FF], deux (2) rondelles 1/4" [GG] et deux (2) écrou à souder 1/4-20 [JJ], fixer les trous situés sur les côtés du plateau V. [Fig. 26 et 27]

REMARQUE : la plus grande rondelle large 1/4" x 1" [FF] doit être installée à l'extérieur du couvercle fixe tandis que la rondelle plate 1/4" [GG] doit être installée depuis l'intérieur du bord du plateau.



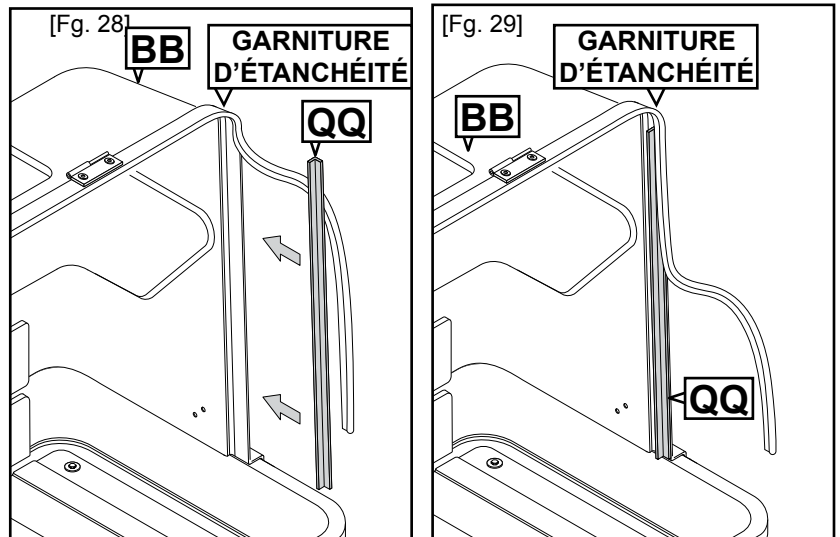
ÉTAPE 16

Retirer la garniture d'étanchéité des bords verticaux du couvercle fixe [BB].

Positionner et aligner les cornières [QQ] à l'intérieur du couvercle fixe [BB], comme illustré. [Fig. 28]

En partant du haut de la cornière [QQ], réinstaller la garniture d'étanchéité sur le bord de la cornière maintenue contre le couvercle (bien veiller à maintenir la cornière complètement alignée avec le bord du support jusqu'à ce qu'elle soit complètement installée). [Fig. 29]

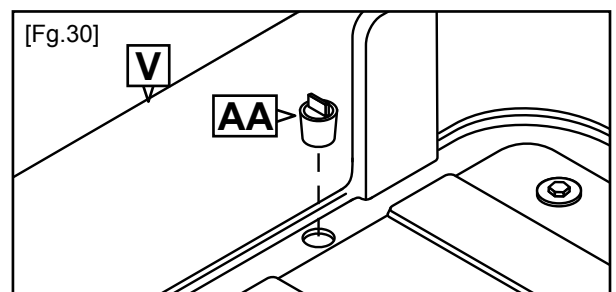
Sertir la lèvre de la garniture d'étanchéité sur le couvercle fixe [BB] et la cornière [QQ] pour fournir une prise ferme.



La garniture d'étanchéité peut se détacher du couvercle pendant le transport en raison de la pression non naturelle exercée par le couvercle étroitement imbriqué pendant le transport. Il suffit de reprendre les procédures pour la repositionner correctement.

ÉTAPE 17

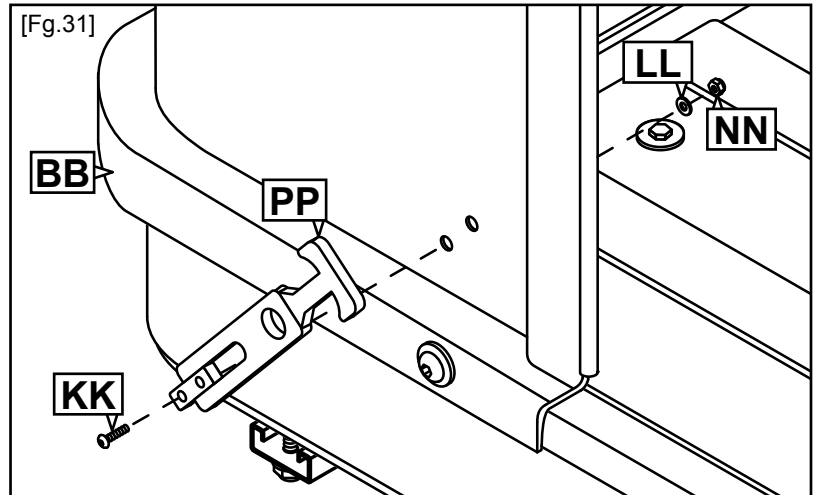
Installer les quatre (4) bouchons de vidange [AA] dans les grands trous au bas du plateau [V]. [Fig. 30]



ÉTAPE 18 OUTIL REQUIS : CLÉ 3/8" ET TOURNEVIS CRUCIFORME

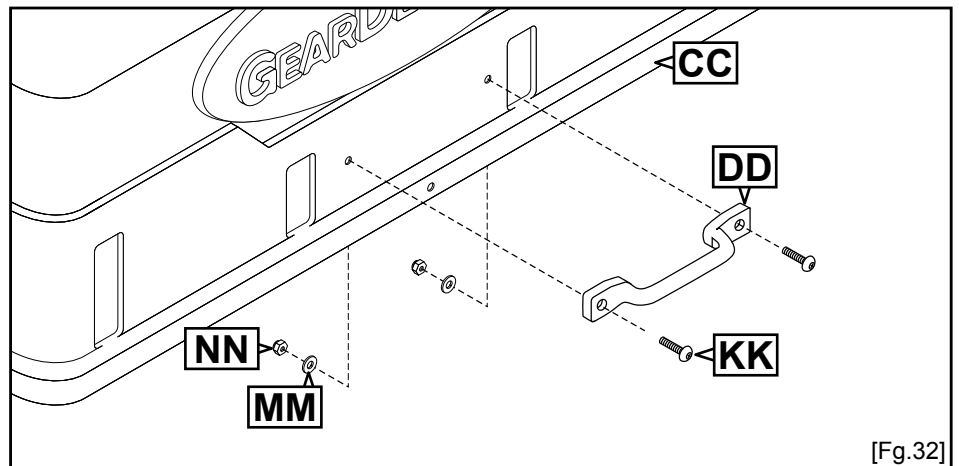
Installer un (1) verrou en caoutchouc [PP] de chaque côté du couvercle fixe [BB] à l'aide de deux (2) vis à tête cylindrique cruciforme 10x24-1 [KK], deux (2) rondelles N° 10 [LL] et deux (2) vis de blocage 10-24 [NN] de chaque côté. [Fig. 31]

REMARQUE : bien qu'un seul boulon apparaisse dans la Fig. 34 pour plus de clarté, deux (2) vis à tête cylindrique cruciforme [KK] par verrou sont nécessaires.



ÉTAPE 19 OUTIL REQUIS : CLÉ 3/8" ET TOURNEVIS CRUCIFORME

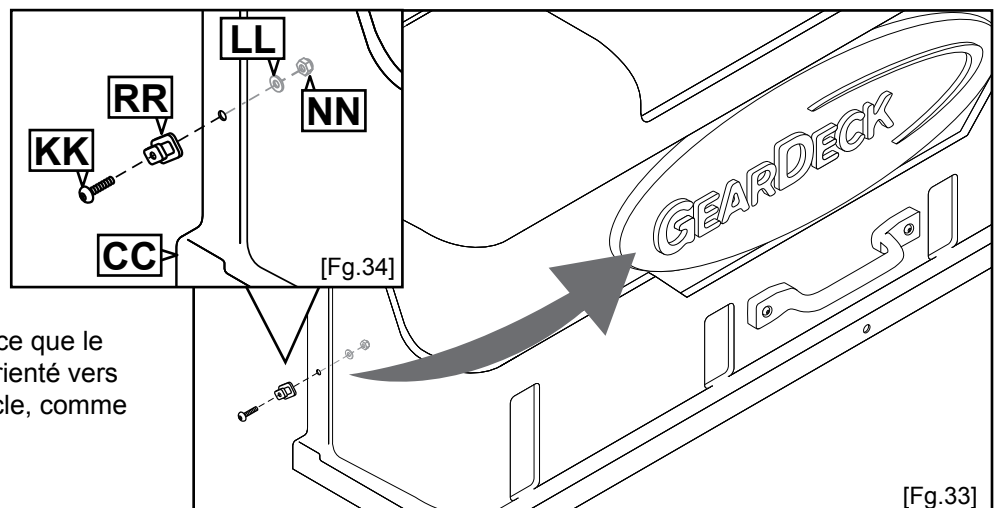
Installer la poignée [DD] sur le couvercle pivotant [CC] (avec le logo GearDeck) là où les trous ont été pré-perçés à l'aide de vis à tête cylindrique cruciforme 10x24-1 [KK] fixées à l'intérieur avec des rondelles larges 3/16" x 1" [MM], et des écrous de blocage 10/-24 [NN]. [Fig. 32]



ÉTAPE 20 OUTIL REQUIS : CLÉ 3/8" ET TOURNEVIS CRUCIFORME

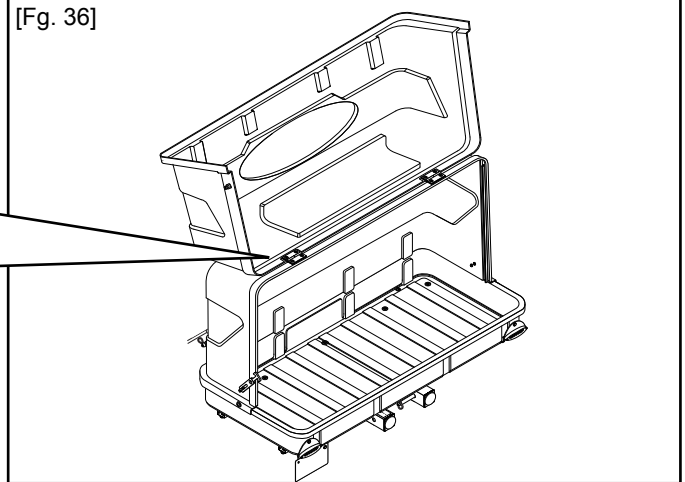
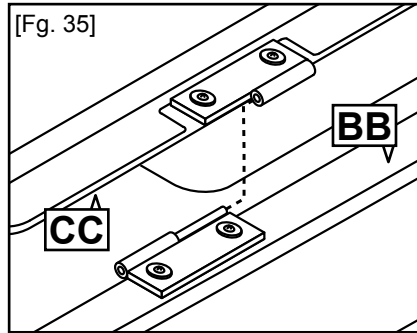
Installer une gâche de verrou [DD] sur chaque côté du couvercle pivotant [CC] là où les trous ont été pré-perçés à l'aide de vis à tête cylindrique cruciforme 10x24-1 [KK] fixées à l'intérieur avec une (1) rondelle n° 10 [LL], et des écrous de blocage 10/-24 [NN]. [Fig. 34]

REMARQUE : la gâche de verrou [RR] doit être installée de manière à ce que le dispositif de maintien du verrou soit orienté vers le logo GearDeck à l'avant du couvercle, comme illustré. [Fig. 33]



ÉTAPE 21

Faire glisser les charnières du couvercle pivotant [CC] sur les montants de charnière du couvercle fixe [BB] et fermer le couvercle. [Fig. 35 et 36]



REMARQUE : un léger décalage est prévu sur la charnière côté conducteur pour faciliter l'alignement lors de la fixation et du retrait du couvercle pivotant sur le couvercle fixe.

Conformité du véhicule et du récepteur d'attelage

Ce porte-bagages s'adapte aux récepteurs d'attelage de 2 po et est homologué pour une capacité de remorquage de classe II ou supérieure. Avant d'utiliser ce produit, consulter le(s) manuel(s) du propriétaire du véhicule et du récepteur d'attelage pour plus de détails sur les paramètres de poids de remorquage et de timon. S'assurer qu'ils sont compatibles avec les spécifications de poids du porte-bagages. Ne jamais dépasser les limites de poids du véhicule ou de l'attelage.

Poids du porte-bagages et paramètres de charge

Le GearDeck pèse 36 kg à vide. Pour déterminer le poids de la charge disponible en fonction du poids du véhicule et du timon du récepteur d'attelage, soustraire les 36 kg du GearDeck de la valeur de poids du timon identifiée. La différence représente le poids de charge disponible du véhicule et du récepteur d'attelage.

Le GearDeck peut supporter jusqu'à 190 kg de charge pour un poids total de 226 kg à pleine charge.

Support coulissant et réglage du dégagement

Pour replier le GearDeck, retirer la goupille d'attelage silencieux Silent Hitch Pin® à poignée du trou de la goupille de sécurité du tube coulissant. Vérifier que le câble de sécurité est bien fixé, puis faire glisser le cadre vers l'arrière. Lors du réglage de la position des pinces à capsule pour obtenir un dégagement supplémentaire, veiller à laisser une distance NON UTILISÉE de 8,9 cm vers l'arrière de la plaque verticale de la colonne le long des tubes du cadre.

Éclairage

Brancher le connecteur plat à 4 contacts à l'éclairage de la remorque du véhicule. Vérifier les feux de route, les feux de stop et les clignotants avant utilisation. Si un signal lumineux ne fonctionne pas, vérifier que le faisceau de câblage est correctement connecté et que l'isolant n'est pas effiloché ou usé. Vérifier les voyants avant chaque utilisation.

Fermeture du couvercle et verrouillage

Toujours fixer les verrous grenouillères des deux côtés du GearDeck avant le transport. Un trou est taraudé sur le couvercle pivotant et le plateau pour l'utilisation d'un verrou (non inclus). L'utilisation d'un cadenas est possible.

GARANTIE:

Let's Go Aero garantie pendant trois ans sur limitée
Pour plus d'informations et enregistrement en ligne à www.LetsGoAero.com/warranty

⚠ AVERTISSEMENT:

Vérifier toujours que tous les boulons et toutes les connexions sont bien serrés et fixés et que les verrous en caoutchouc sont bien fixés sur le couvercle pivotant du support avant le transport. Une mauvaise installation et une absence de vérification des équipements avant le transport peuvent entraîner des dommages au porte-bagages, des dommages matériels, des blessures corporelles ou la mort.

⚠ ATTENTION:

L'échappement d'un véhicule peut être source de danger. Par mesure de précaution, placer le porte-bagages à l'écart de l'échappement.