

FR1504D

FORD

Rear suspension package
Ensemble pour suspension arrière
Ensemble para suspensión de trasero

INSTALLATION INSTRUCTIONS

- Raise vehicle allowing the axle to hang freely.
- Remove existing bumpstop using 13 mm socket.
- Assemble Aeon rubber spring and bracket as shown in the adjacent diagram.
- Mount Timbren assembly using existing holes & Timbren supplied fasteners.
- Lower vehicle.

NOTES

Check that brake line or brake cable locations do not interfere with Aeon spring.

If necessary, use rubber washer #2 and bolt #5 to achieve desired ride height.

INSTRUCTIONS DE MONTAGE

- Soulever le véhicule de sorte que l'essieu soit dégagé.
- Enlevez la butée d'essieu existante en utilisant la douille de serrage de 13 mm.
- Assembler le ressort en caoutchouc Aeon et le support comme il est indiqué dans le schéma adjacent.
- Monter l'assemblage Timbren en utilisant les trous existants et la boulonnerie fournie avec l'assemblage Timbren.
- Redescendre le véhicule.

REMARQUES

Vérifier que les emplacements de la conduite de frein et du câble de frein ne nuisent pas au ressort Aeon. Utiliser la rondelle en caoutchouc no 2 et fixer à l'aide de boulons la rondelle en caoutchouc no 5 pour obtenir le niveau du véhicule désiré.

INSTRUCCIONES DE INSTALACIÓN

- Levante el vehículo dejando que los ejes cuelguen libremente.
- Quite el tope del eje existente utilizando una llave de cubo de 13 mm.
- Ensamble el resorte de caucho Aeon y la abrazadera como se muestra en el diagrama adyacente.
- Monte la unidad Timbren utilizando los orificios existentes y los elementos de sujeción Timbren provistos.
- Baje el vehículo.

NOTAS

Verifique que la ubicación de la tubería de freno o del cable del freno no interfiera con el resorte Aeon. Use arandela de caucho #2 y perno #5 para lograr el nivel deseado del vehículo.

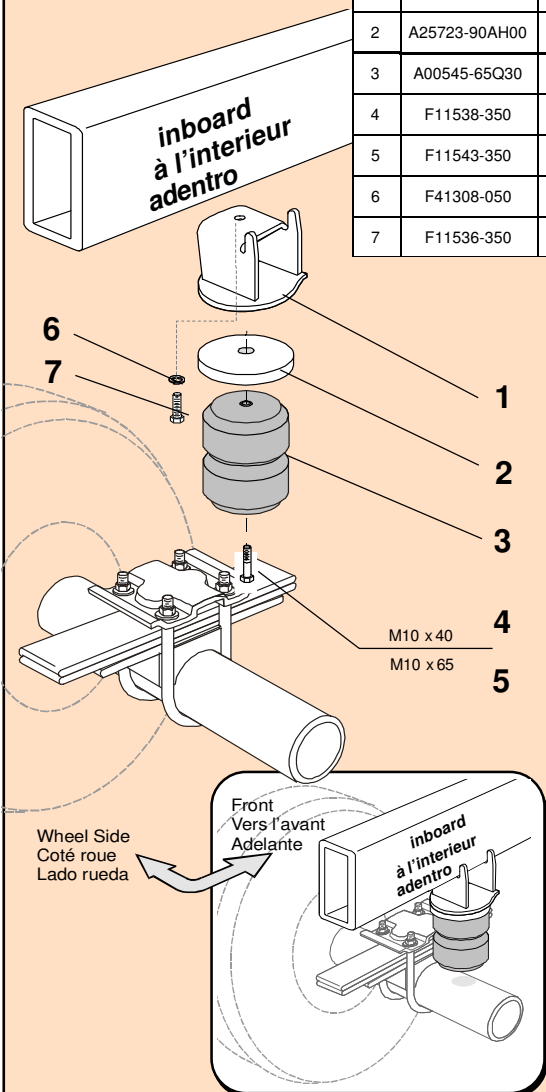
Do not exceed vehicle manufacturer's recommended axle weight rating. Check for AEON® interference with vehicle components - Under load AEON® will "expand" in diameter.

Ne pas dépasser le poids nominal sur l'essieu recommandé par le fabricant du véhicule. Vérifier que le ressort AEON® n'a pas d'incidence sur d'autres pièces du véhicule - Le ressort AEON® augmentera son diamètre avec la charge.

No exceda la carga nominal en el eje recomendada por el fabricante del vehículo. Compruebe que no haya interferencia entre el resorte AEON® y los otros componentes del vehículo. Bajo carga, el resorte AEON® se ampliará en diámetro.

Ref. = Reference = No. de référence = Núm. de referencia
Part = Part #. = No. de pièce = Núm. de pieza
Qty. = Quantity = Quantité = Cantidad

| Ref | Part | Qty |
|-----|---------------|-------|
| 1 | K10482-003 | 1L-1R |
| 2 | A25723-90AH00 | 2 |
| 3 | A00545-65Q30 | 2 |
| 4 | F11538-350 | 2 |
| 5 | F11543-350 | 2 |
| 6 | F41308-050 | 2 |
| 7 | F11536-350 | 2 |



FR1504D

TIMBREN

FR1504D

TIMBREN INDUSTRIES INC.

www.timbren.com

| PART NUMBER | DESCRIPTION | QTY | LOCATION |
|-------------|--------------------------------|-----|----------|
| F41308-050 | WASHER SPLIT LOCK M10 GR 8.8 Z | 2 | I1D |
| F11536-350 | HCS M10 x 30 x 1.5 GR 8.8 Z | 2 | I1C |
| F11538-350 | HCS M10 x 40 x 1.5 GR 8.8 Z | 2 | I1C |
| F11543-350 | HCS M10 x 65 x 1.5 GR 8.8 Z | 2 | I2D |

| | | | |
|---------------|---|---|-----|
| A00545-65Q30 | Hollow Rubber Spring | 2 | C9B |
| A25723-90AH00 | RUBBER SPACER 4"od x 1" thk w/ AH Bushing | 2 | |

| | | | |
|--------------|--------------------------------------|---|------|
| K10482LH-003 | FR1504D / FRTT1502D LH WELDMENT PTD. | 1 | D14B |
| K10482RH-003 | FR1504D/FRTT1502D RH WELDMENT PTD. | 1 | D14A |

| | | | |
|------------|---------------------------------|---|-------|
| B90201 | LARGE BLUE BOX - 10.5 X 8.5 X 6 | 1 | A1-7E |
| B10000 | 8" X 12" BUBBLE FOR KITS | 1 | |
| B00029-010 | BARCODE LABEL FOR KIT | 2 | |

Issued: 4/10/2014

Clearance Instructions:

Rear SES Kits for Pick-Ups and Vans should have a 1/2" to 1-1/2" gap between the rubber spring and contact point when empty.

A partial load, or vehicle accessories will reduce or eliminate the gap.

Front SES kits are usually in full contact.

Medium and Heavy-Duty Trucks, Trailers and Motorhomes will be in constant contact, and have no gap.

Lifetime Warranty:

Timbren SES Kits are warranted against defects in material and workmanship, under normal use and service, for the life of the vehicle on which the kit was originally installed. The warranty is not transferable and proof of purchase is required. The warranty is limited to the replacement of the failed part.

TIMBREN will not be responsible for any labour or freight charges involved in the replacement of any product. TIMBREN shall be entitled to make its own inspection to determine the validity of the claim. TIMBREN shall not be liable nor warranty the product in the event of alteration, misuse, overload, negligence or damage caused by others.

If ride or performance of our product is unsatisfactory in any way, please call: 1-800-263-3113 or email sales@timbren.com

ASSEMBLY NOTES:

APPLY 'LEFT' LABEL TO L/H BRACKET