

FER35092LB**FORD**

Rear suspension package
Ensemble pour suspension arrière
Ensemble para suspensión de trasero

INSTALLATION INSTRUCTIONS

- Raise vehicle allowing the axle to hang freely.
- Remove existing bump stop assembly.
- Assemble Aeon rubber spring and bracket as shown in the adjacent diagram.
- Mount Timbren assembly using existing holes & Timbren supplied fasteners.
- Clamp Timbren bottom support onto axle using fasteners provided.
- Lower vehicle.

NOTES:

Check that brake line or brake cable locations do not interfere with Timbren bottom assembly.

Brackets are stamped RF & LF. Install RF bracket on the passenger side of vehicle.

INSTRUCTIONS DE MONTAGE

- Soulever le véhicule de sorte que l'essieu soit dégagé.
- Retirer l'assemblage de la butée de suspension existante.
- Assembler le ressort en caoutchouc Aeon et le support comme il est indiqué dans le schéma adjacent.
- Monter l'assemblage Timbren en utilisant les trous existants et la boulonnerie fournie avec l'assemblage Timbren.
- Attacher le support inférieur Timbren sur l'essieu en utilisant la boulonnerie fournie.
- Redescendre le véhicule.

REMARQUES:

Vérifier que les emplacements de la conduite de frein et du câble de frein ne nuisent pas à la partie inférieure de l'assemblage Timbren.

Des supports de butées sont marqués d'un RF ou LF. Monter le support marqué RF du côté passager du véhicule.

INSTRUCCIONES DE INSTALACIÓN

- Levante el vehículo dejando que los ejes cuelguen libremente.
- Retire la unidad del tope de suspensión existente.
- Ensamble el resorte de caucho Aeon y la abrazadera como se muestra en el diagrama adyacente.
- Monte la unidad Timbren utilizando los orificios existentes y los elementos de sujeción Timbren provistos.
- Sujete con abrazaderas el soporte inferior Timbren al eje utilizando los elementos de sujeción provistos.
- Baje el vehículo.

NOTAS:

Verifique que la ubicación de la tubería de freno o del cable del freno no interfiera con la unidad inferior Timbren.

Abrazaderas tienen una marca RF o LF. Instalar la abrazadera con RF del lado del pasajero del vehículo.

Do not exceed vehicle manufacturer's recommended axle weight rating. Check for AEON® interference with vehicle components - Under load AEON® will "expand" in diameter.

Ne pas dépasser le poids nominal sur l'essieu recommandé par le fabricant du véhicule. Vérifier que le ressort AEON® n'a pas d'incidence sur d'autres pièces du véhicule - Le ressort AEON® augmentera son diamètre avec la charge.

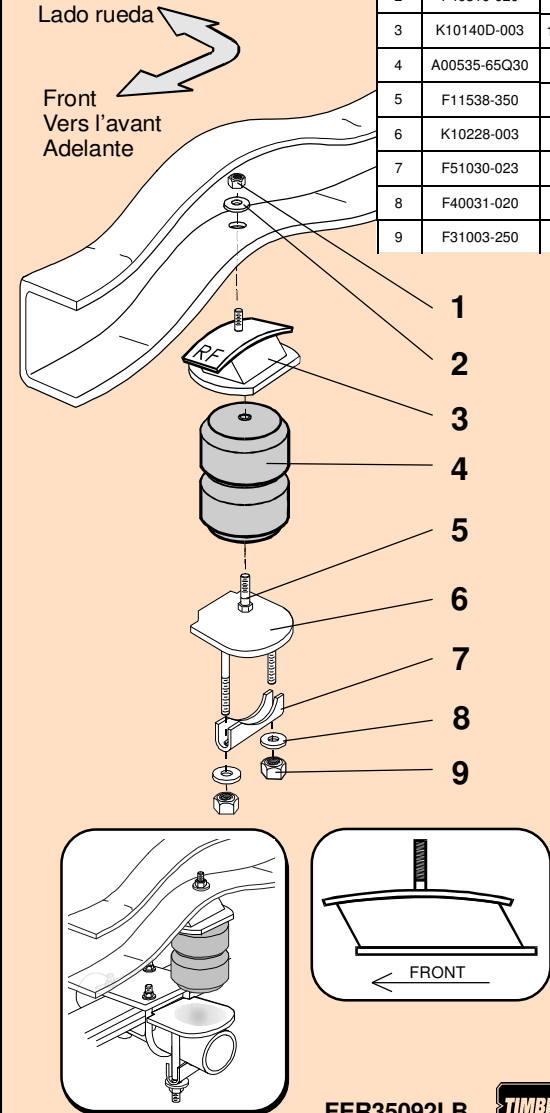
No exceda la carga nominal en el eje recomendada por el fabricante del vehículo. Compruebe que no haya interferencia entre el resorte AEON® y los otros componentes del vehículo. Bajo carga, el resorte AEON® se ampliará en diámetro.

Ref. = Reference = No. de référence = Núm. de referencia
Part = Part #. = No. de pièce = Núm. de pieza
Qty. = Quantity = Quantité = Cantidad

Ref	Part	Qty
1	F31051-350	2
2	F40310-020	2
3	K10140D-003	1L-1R
4	A00535-65Q30	2
5	F11538-350	2
6	K10228-003	2
7	F51030-023	2
8	F40031-020	4
9	F31003-250	4

Wheel Side
Côté roue
Lado rueda

Front
Vers l'avant
Adelante

**FER35092LB****TIMBREN**

FER35092LB

TIMBREN INDUSTRIES INC.

www.timbren.com

PART NUMBER	DESCRIPTION	QTY	LOCATION
F31051-350	NYLOCK LOCKNUT M10 x 1.5 GR 8.0 Z	2	I1D
F40310-020	WASHER FLAT M10 GR 4.6 Z	2	I1D
F11538-350	HCS M10 x 40 x 1.5 GR 8.8 Z	2	I1C
F31003-250	NYLOCK LOCKNUT 3/8 UNC GR 5 Z	4	G1B
F40031-020	WASHER FLAT USS 3/8 x 1 GR 2 Z	4	G1C

A00535-65Q30	Hollow Rubber Spring	2	C7B
--------------	----------------------	---	-----

K10140DLH-003	FORD / U HAUL WELDMENT LH PAINTED	1	P/A BENCH
K10140DRH-003	FORD / U HAUL WELDMENT RH PAINTED	1	P/A BENCH
K10228-003	FER35087B/ 87LB /92B / 92LB WELD. PAINTED	2	D2B
F51030-023	SADDLE CLAMP 3-1/2" GR 2 B	2	G5B

B90200-CR	SMALL REAR BOX - 9.5 x 7 x 5.5	1	A--E
B10000	8" x 12" BUBBLE FOR KITS	1	
B00029-010	BARCODE LABEL FOR KIT	1	

Issued: 7/10/2013

Clearance Instructions:

Rear SES Kits for Pick-Ups and Vans should have a 1/2" to 1-1/2" gap between the rubber spring and contact point when empty.

A partial load, or vehicle accessories will reduce or eliminate the gap.

Front SES kits are usually in full contact.

Medium and Heavy-Duty Trucks, Trailers and Motorhomes will be in constant contact, and have no gap.

Lifetime Warranty:

Timbren SES Kits are warranted against defects in material and workmanship, under normal use and service, for the life of the vehicle on which the kit was originally installed. The warranty is not transferable and proof of purchase is required. The warranty is limited to the replacement of the failed part.

TIMBREN will not be responsible for any labour or freight charges involved in the replacement of any product. TIMBREN shall be entitled to make its own inspection to determine the validity of the claim. TIMBREN shall not be liable nor warranty the product in the event of alteration, misuse, overload, negligence or damage caused by others.

If ride or performance of our product is unsatisfactory in any way, please call: 1-800-263-3113 or email sales@timbren.com