

**DDF974B****DODGE**

Front suspension package  
Ensemble pour suspension avant  
Ensemble para suspensión de delantero

INSTALLATION INSTRUCTIONS

- Raise vehicle allowing the axle to hang freely.
- Remove existing bump stop by prying out of bump stop cup.
- Position Aeon spring assembly into bump stop cup. Push and twist simultaneously. ( See diagrams A & B.) Ensure the assembly is fully seated in cup.
- Lower vehicle.

INSTRUCTIONS DE MONTAGE

- Soulever le véhicule de sorte que l'essieu soit dégagé.
- Retirer la butée de suspension existante en insérant un levier dans l'échancrure de la butée de suspension.
- Placer le bloc de ressorts Aeon dans l'échancrure de la butée de suspension. Pousser et tourner simultanément. ( Voir les schémas A et B) Veiller à ce que l'assemblage soit entièrement placé dans l'échancrure.
- Redescendre le véhicule.

INSTRUCCIONES DE INSTALACIÓN

- Levante el vehículo dejando que los ejes cuelguen libremente.
- Retire el tope de suspensión existente haciendo palanca en la copa del tope de retención
- Coloque en posición la unidad de resorte Aeon en la copa del tope de retención. Empuje y tuerza simultáneamente. ( Vea Diagramas A y B) Asegúrese de que la unidad está totalmente encajada en la copa.
- Baje el vehículo.

Do not exceed vehicle manufacturer's recommended axle weight rating. Check for AEON® interference with vehicle components - Under load AEON® will "expand" in diameter.

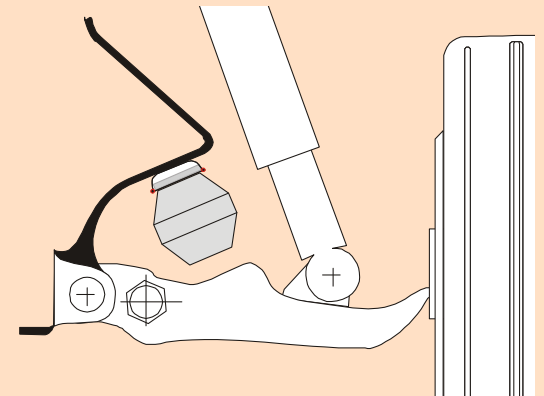
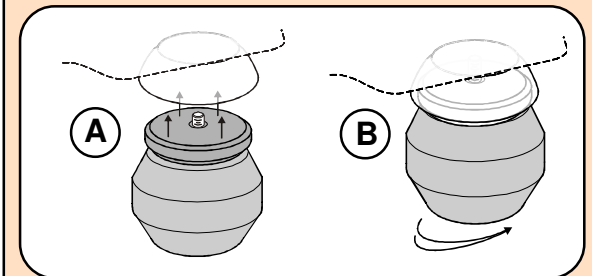
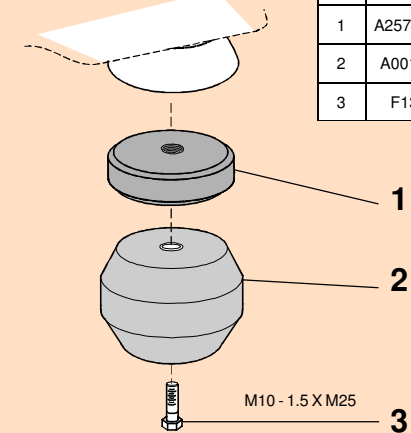
Ne pas dépasser le poids nominal sur l'essieu recommandé par le fabricant du véhicule. Vérifier que le ressort AEON® n'a pas d'incidence sur d'autres pièces du véhicule - Le ressort AEON® augmentera son diamètre avec la charge.

No exceda la carga nominal en el eje recomendada por el fabricante del vehículo. Compruebe que no haya interferencia entre el resorte AEON® y los otros componentes del vehículo. Bajo carga, el resorte AEON® se ampliará en diámetro.

Ref. = Reference = No. de référence = Núm. de referencia  
Part = Part #. = No. de pièce = Núm. de pieza  
Qty. = Quantity = Quantité = Cantidad

**KIT PRE-ASSEMBLED**

Ref	Part	Qty
1	A25728-90AG00	2
2	A00170-75P20	2
3	F13534-753	2

**DDF974B****TIMBREN**

## DDF974B

TIMBREN INDUSTRIES INC.

[www.timbren.com](http://www.timbren.com)

PART NUMBER	DESCRIPTION	QTY	LOCATION
<b>F13534-753</b>	SHCS M10 x 25 x 1.5 F/T Gr 8.8 B DIN 912	<b>2</b>	<b>J1C</b>
<b>A00170-75P20</b>	Hollow Rubber Spring	<b>2</b>	<b>C2A</b>
<b>A25728-90AG00</b>	AEON LOCATOR W/ AG BUSHING	<b>2</b>	<b>F1B</b>
<b>B90264-CF</b>	MINI FRONT BOX - 7 x 5.25 x 4.75	<b>1</b>	<b>A--D</b>
<b>B10000</b>	8" x 12" BUBBLE FOR KITS	<b>1</b>	
<b>B00029-010</b>	BARCODE LABEL FOR KIT	<b>1</b>	

### ASSEMBLY NOTES:

**PRE-ASSEMBLED KIT  
USE LOCTITE**

Issued: 4/1/2014

### Clearance Instructions:

Rear SES Kits for Pick-Ups and Vans should have a 1/2" to 1-1/2" gap between the rubber spring and contact point when empty.

A partial load, or vehicle accessories will reduce or eliminate the gap.

Front SES kits are usually in full contact.

Medium and Heavy-Duty Trucks, Trailers and Motorhomes will be in constant contact, and have no gap.

### Lifetime Warranty:

Timbren SES Kits are warranted against defects in material and workmanship, under normal use and service, for the life of the vehicle on which the kit was originally installed. The warranty is not transferable and proof of purchase is required. The warranty is limited to the replacement of the failed part.

TIMBREN will not be responsible for any labour or freight charges involved in the replacement of any product. TIMBREN shall be entitled to make its own inspection to determine the validity of the claim. TIMBREN shall not be liable nor warranty the product in the event of alteration, misuse, overload, negligence or damage caused by others.

If ride or performance of our product is unsatisfactory in any way, please call: 1-800-263-3113 or email [sales@timbren.com](mailto:sales@timbren.com)