

13534

TOYOTA HIGHLANDER (ALL, INC. HYBRID)

07/07/2020

GROSS LOAD CAPACITY WHEN USED AS A WEIGHT CARRYING HITCH: 5,000 LBS. TRAILER WEIGHT & 750 LBS. TONGUE WEIGHT.

DO NOT EXCEED VEHICLE MANUFACTURER'S RECOMMENDED TOWING CAPACITY.

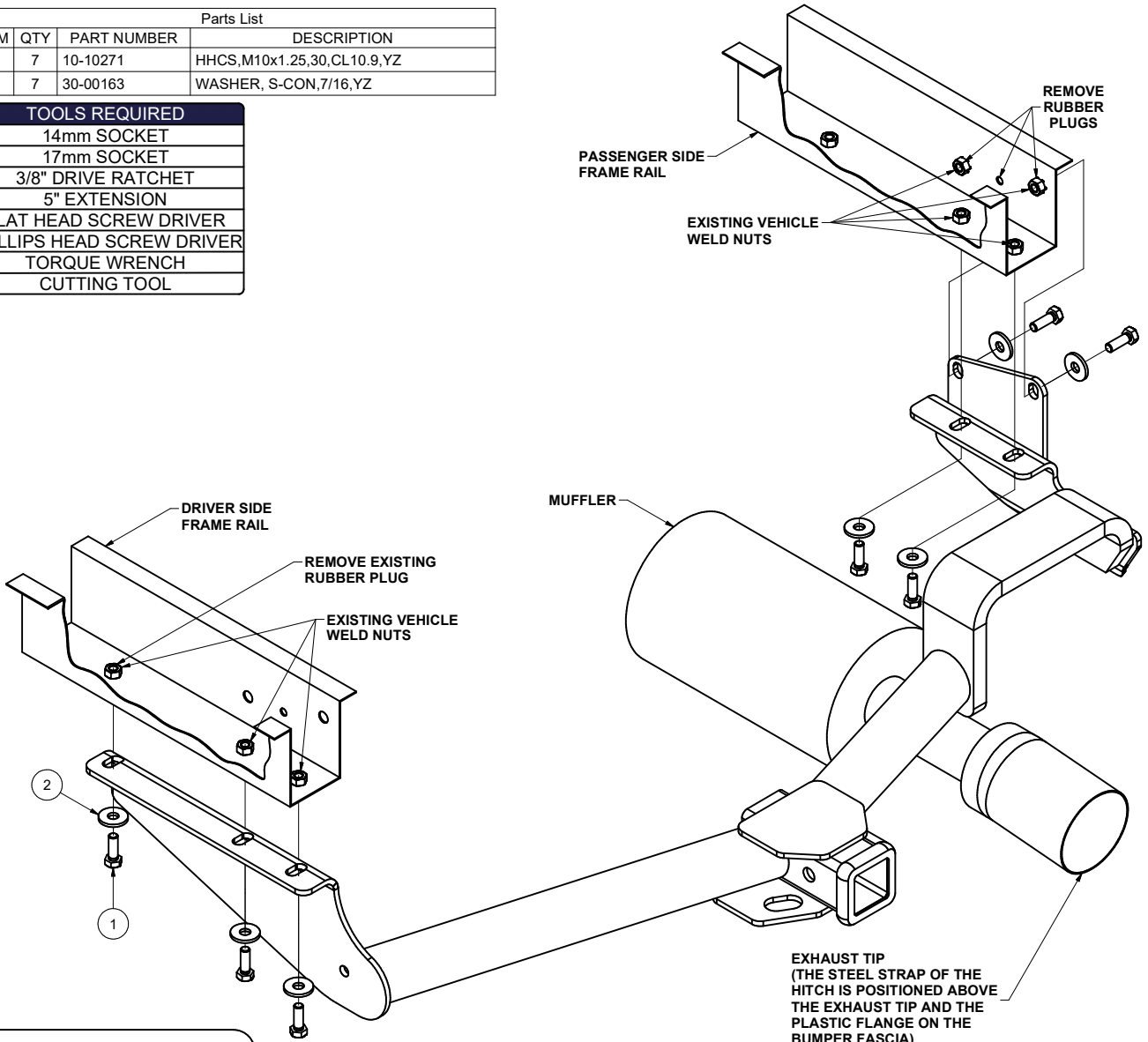
WARNING: ALL NON-TRAILER LOADS APPLIED TO THIS PRODUCT MUST BE SUPPORTED BY 18050 STABILIZING STRAPS.

** FAILURE TO PROPERLY SUPPORT NON-TRAILER LOADS WILL VOID PRODUCT WARRANTY**

HAVING INSTALLATION QUESTIONS? CALL TECHNICAL SUPPORT AT 1-877-287-8634

Parts List			
ITEM	QTY	PART NUMBER	DESCRIPTION
1	7	10-10271	HHCS, M10x1.25, 30, CL10.9, YZ
2	7	30-00163	WASHER, S-CON, 7/16, YZ

TOOLS REQUIRED
14mm SOCKET
17mm SOCKET
3/8" DRIVE RATCHET
5" EXTENSION
FLAT HEAD SCREW DRIVER
PHILLIPS HEAD SCREW DRIVER
TORQUE WRENCH
CUTTING TOOL



HITCH WEIGHT: 39 LBS.

INSTALL TIME

PROFESSIONAL: 45 MINUTES

NOVICE (DIY): 90 MINUTES

INSTALL NOTES:

- REMOVE PLASTIC UNDER BODY PANELS
- TRIM UNDER BODY PANEL (OPTIONAL)
- REMOVE WELDNUT PLUGS
- NO DRILLING REQUIRED

INSTALLATION STEPS SEE PAGE 2

PERIODICALLY CHECK THIS RECEIVER HITCH TO ENSURE THAT ALL FASTENERS ARE TIGHT AND THAT ALL STRUCTURAL COMPONENTS ARE SOUND.

Curt Manufacturing Inc., warrants this product to be free of defects in material and/or workmanship at the time of retail purchase by the original purchaser. If the product is found to be defective, Curt Manufacturing Inc., may repair or replace the product, at their option, when the product is returned, prepaid, with proof of purchase. Alteration to, misuse of, or improper installation of this product voids the warranty. Curt Manufacturing Inc.'s liability is limited to repair or replacement of products found to be defective, and specifically excludes liability for incidental or consequential loss or damage.

13534

TOYOTA HIGHLANDER (ALL, INC HYBRID)

07/07/2020

GROSS LOAD CAPACITY WHEN USED AS A WEIGHT CARRYING HITCH: 5,000 LBS. TRAILER WEIGHT & 750 LBS. TONGUE WEIGHT.

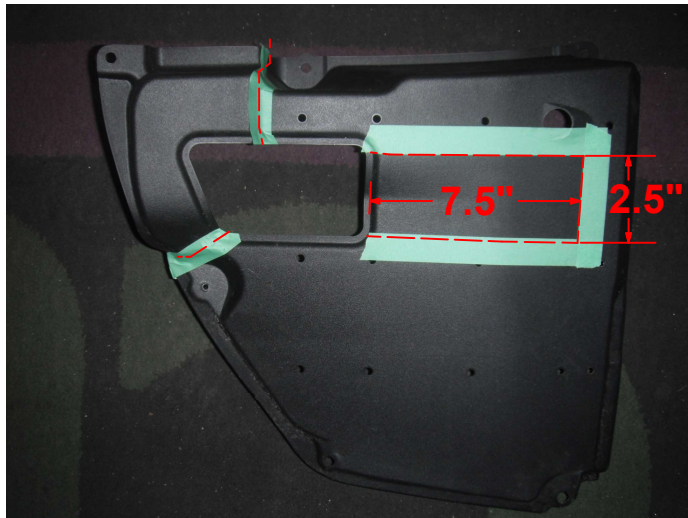
*****DO NOT EXCEED VEHICLE MANUFACTURER'S RECOMMENDED TOWING CAPACITY.*****

WARNING: ALL NON-TRAILER LOADS APPLIED TO THIS PRODUCT MUST BE SUPPORTED BY 18050 STABILIZING STRAPS.

**** FAILURE TO PROPERLY SUPPORT NON-TRAILER LOADS WILL VOID PRODUCT WARRANTY****

HAVING INSTALLATION QUESTIONS? CALL TECHNICAL SUPPORT AT 1-877-287-8634

DRIVER SIDE UNDER BODY PANEL TRIM DIAGRAM



DRIVE SIDE TRIM NOTES:

- LONG THIN CUT IS 7.50" FROM EDGE OF LARGE HOLE AND 2.50".
- TRIM CORNER OF PANEL ALONG SEAMS IN THE PANEL AS SHOWN.

PASSENGER SIDE UNDER BODY PANEL TRIM DIAGRAM



PASSENGER SIDE TRIM NOTES:

- ALIGN HORIZONTAL CUT WITH TOP OF RIB.

INSTALLATION STEPS

1. Using the flat head screw driver, remove all push fasteners in underbody panels. Use a phillips head screw driver to remove remaining screws. Use the 14mm socket and ratchet to remove the bolt holding the passenger side panel. Return underbody panels to owner or trim and reinstall in STEP 6.
2. Using the 14mm socket, remove both tow loops and return to owner. Remove (3) rubber plugs from passenger side and (1) from driver side.
3. Carefully raise hitch over exhaust towards muffler and pull back to bumper over the plastic flange on the bumper. Position the hitch so the holes line up with existing holes in the frame rail.
4. Install supplied M10 -1.25 x 30 hex head bolts and 7/16" conical tooth washers as shown above.
5. Using a torque wrench, torque all M10 - 1.25 bolts to 48 lb-ft.
6. Trim underbody panels and reinstall with the hardware removed in STEP 1. (See trim diagrams above.)

PERIODICALLY CHECK THIS RECEIVER HITCH TO ENSURE THAT ALL FASTENERS ARE TIGHT AND THAT ALL STRUCTURAL COMPONENTS ARE SOUND.

Curt Manufacturing Inc., warrants this product to be free of defects in material and/or workmanship at the time of retail purchase by the original purchaser. If the product is found to be defective, Curt Manufacturing Inc., may repair or replace the product, at their option, when the product is returned, prepaid, with proof of purchase. Alteration to, misuse of, or improper installation of this product voids the warranty. Curt Manufacturing Inc.'s liability is limited to repair or replacement of products found to be defective, and specifically excludes liability for incidental or consequential loss or damage.