

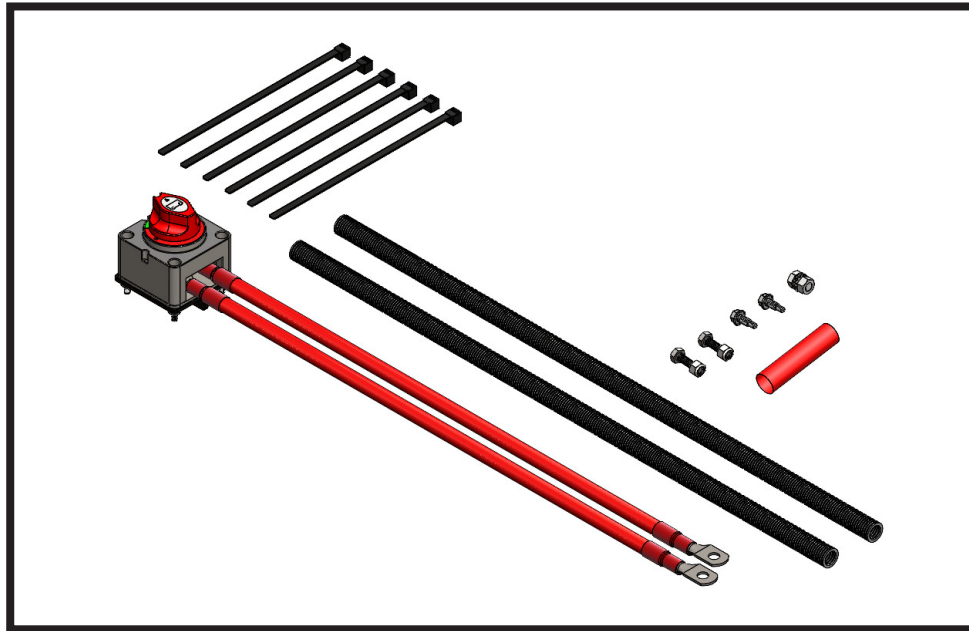


BX88443

Manual Battery Disconnect Kit

Installation Instructions

Serial Number



Manual Battery Disconnect Kit

Set includes: mounting bracket, disconnect switch, mounting hardware, & protective wire loom

Kit allows for easy and safe battery disconnect.

* Rated at 275-amp constant duty and 1250-amp surge capability*

Works on 12-volt batteries

WARNING

Failure to read and follow these instructions could result in non-warranty vehicle damage and/or personal injury.

WARNING

This product can expose you to chemical(s) which are known to the state of California to cause cancer. For more information go to www.P65Warning.ca.gov.

Please read these Installation Instructions in their entirety prior to installing or operating this equipment.

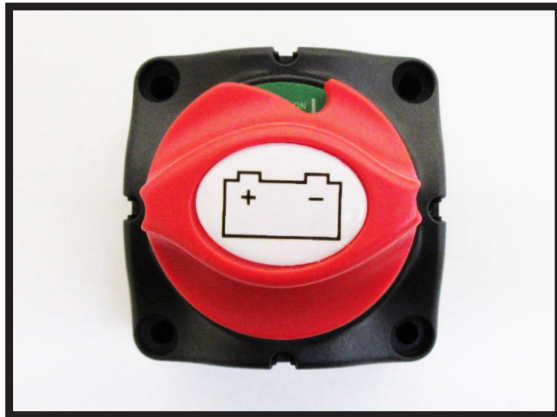
BX88443

Kit, Manual Battery Disconnect Installation Instructions

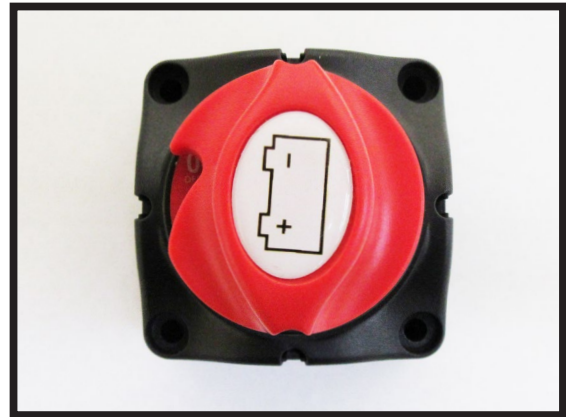


- It is the installer's responsibility to verify that the battery can be disconnected safely and the proper way to safely disconnect the battery cables is followed. Failure to follow the owner's manual could result in damage to the vehicle which would not be covered under the vehicle warranty.
- Follow all instructions from the vehicle owner's manual for safely disconnecting the battery for towing.
- Disconnecting the battery on a vehicle will effect the vehicle's electronics. The following may need to be done.
 - Reset the dashboard presets, ex. radio presets.
 - Reset seat and brake pedal presets.
 - Rewire aftermarket electrical accessories including supplemental braking system.
- Be careful not to lock yourself out of the vehicle. If the vehicle has keyless entry the doors could inadvertently lock when the battery is disconnected. May need to use manual key option or roll down a window in advance.
- Be sure that **ALL** electrical connections are plugged in and accessories are functioning properly.
- Be sure to tighten all bolts according to the torque chart provided unless specified.
- Dealer or installer be certain the user receives these instruction sheets.
- Ensure that installation is performed by someone who is aware of the risks and has knowledge of hazards and proper safety procedures involved with adding components to the vehicle and the tools needed for installation.

On Position



Off Position



Bolt Torque Specifications

Torque in Foot-Pounds for Inch Bolts

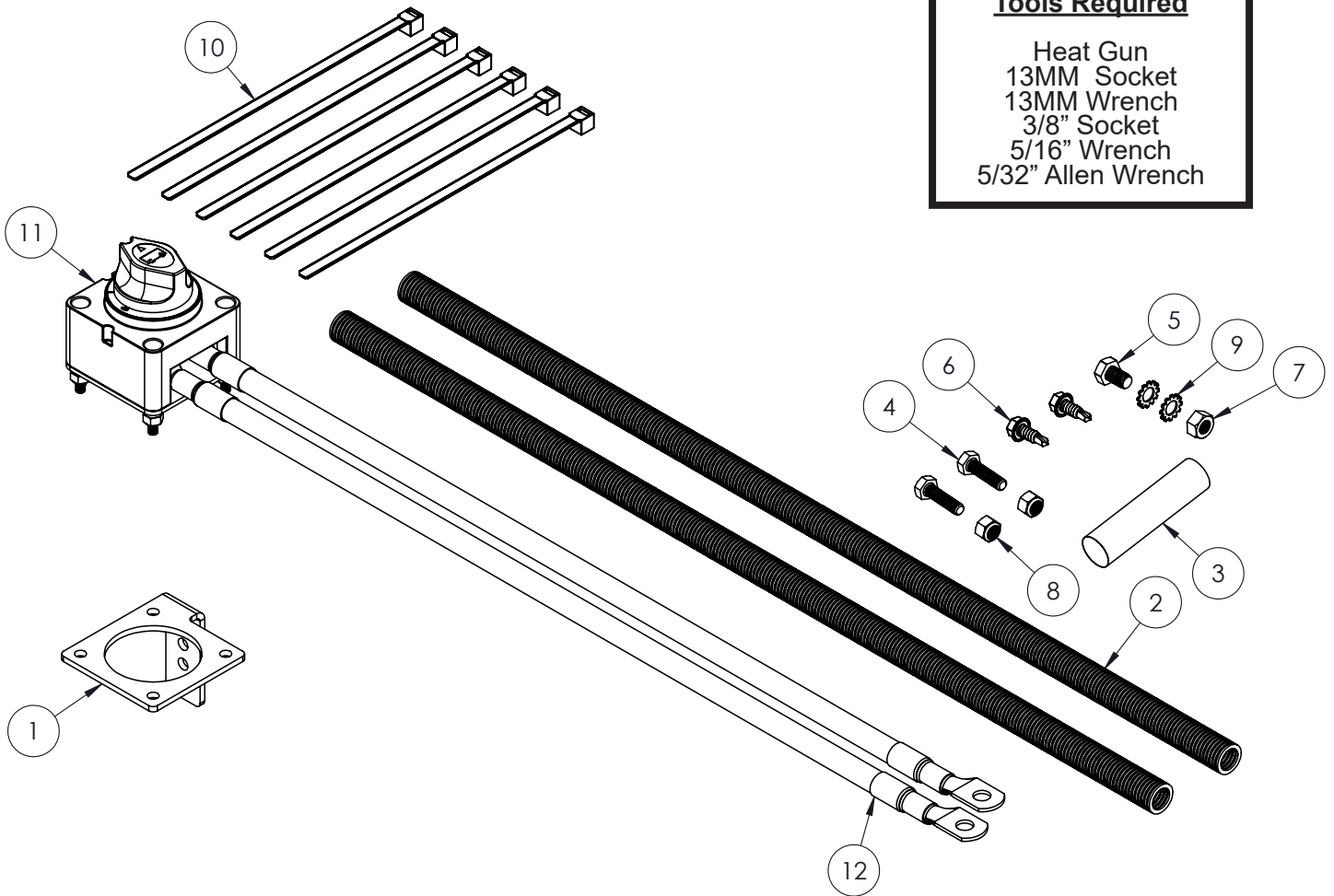
Bolt Size	Grade 5	Grade 8
1/4"	10	14
5/16"	19	29
3/8"	33	47
7/16"	54	78
1/2"	78	119
5/8"	154	230
3/4"	257	380

BX88443

Kit, Manual Battery Disconnect Installation Instructions

Tools Required

Heat Gun
13MM Socket
13MM Wrench
3/8" Socket
5/16" Wrench
5/32" Allen Wrench

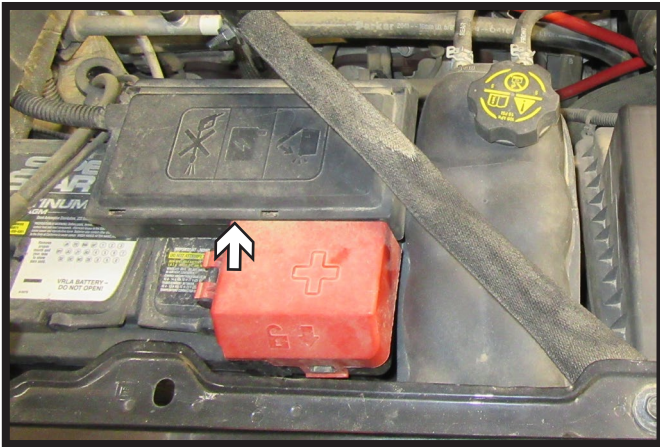


Item No.	Part No.	Description	Qty.
1.....	101-11002	Switch Mounting Bracket	1
2.....	190-0258	1/2" ID x 24" Flex Guard Wire Loom	2
3.....	194-0331	3/4" OD x 3" Long Heat Shrink Tube.....	1
4.....	201-0071	1/4"-20 x 1 Hex Head Bolt, Grade 5, ZP	2
5.....	201-0496	5/16"-18 x 1/2" Bolt	1
6.....	201-1170	1/4" x 3/4" Long Hex Head Self Drilling Screw, ZP ..	2
7.....	202-0002	5/16"-18 Hex Nut, ZP	1
8.....	202-0102	1/4"-20 Hex Nylon Nut, ZP	2
9.....	203-0215	5/16" External Tooth Lock Washer	2
10.....	290-0275	8" Nylon Cable Tie	6
11.....	294-1242	Manual Battery Disconnect Switch [ON/OFF].....	1
12.....	294-1260	24", 2 AWG Battery Cable with 3/8" & 1/2" Conn	2

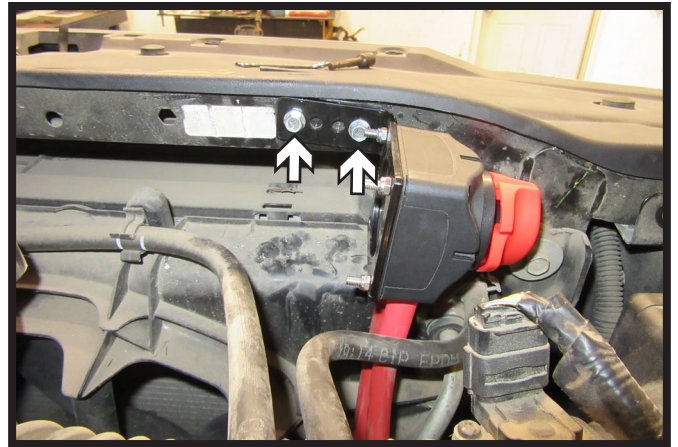
Important:

Use only genuine factory replacement parts with Leveler System. Do NOT substitute homemade or non-typical parts. Replacement parts may be ordered through Blue Ox®. Failing to follow and/or altering these installation instructions in either installation or required equipment will void the manufacturer's warranty.

BX88443
Kit, Manual Battery Disconnect
Installation Instructions

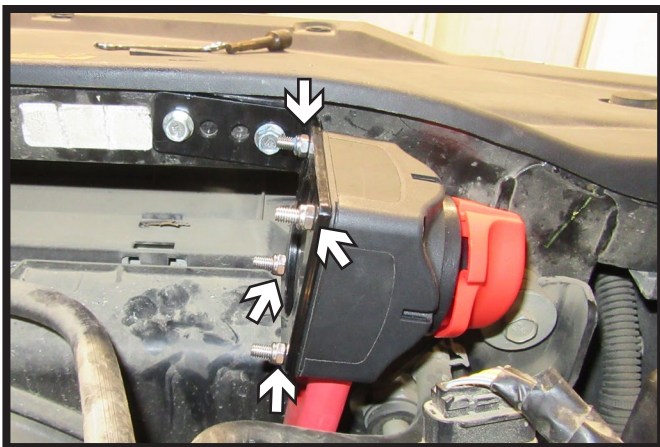


1. Remove battery cover (white). Following the vehicle manufacturer's instructions, disconnect the battery cable. Then locate an area in the engine compartment to mount the battery disconnect switch. Switch should be on the same side of the vehicle as the battery and be able to reach the positive battery terminal.

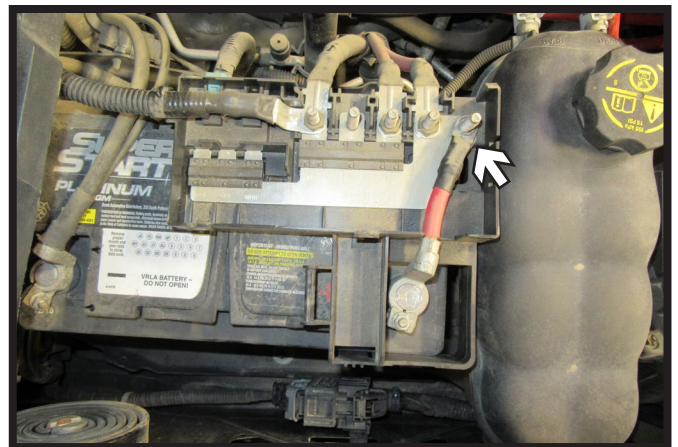


2. Attach the mounting bracket to the vehicle using the provided 1/4" self drilling screws. Tighten.

Note: If a secure location cannot be found to use the self drilling screws, use a 1/4" drill bit to drill two (2) holes and attach bracket to vehicle using the provided 1/4" hex bolts with hex nylon nuts.

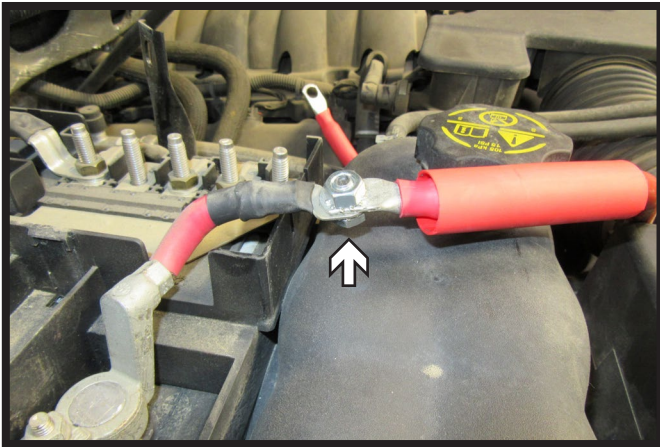


3. Ensure the battery disconnect switch is in the off position before installation. Remove the nuts from the bolts on the bottom of the disconnect switch. Then attach the disconnect switch to the mounting bracket with the cables towards the battery. Tighten nuts using a 5/16" wrench and 5/32" Allen wrench.

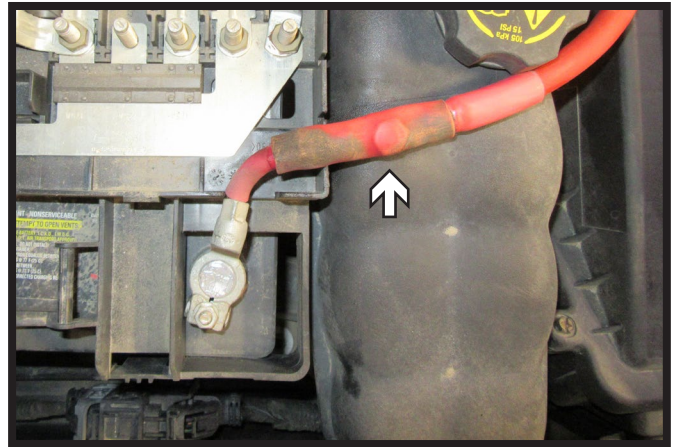


4. Remove the main power line from the positive battery terminal.

BX88443
Kit, Manual Battery Disconnect
Installation Instructions



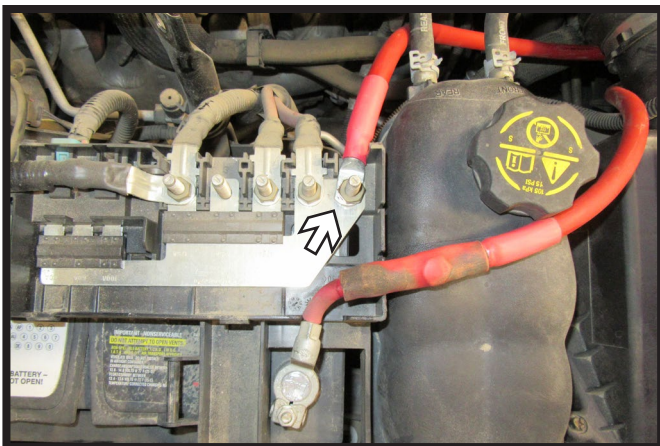
5. Slide the heat shield onto first cable from the disconnect switch. Then connect the cable from the disconnect switch to the main power line using the a 5/16" bolt with hex nut and lock washers. One (1) washer should be between the connectors and one (1) between the connector and the nut. Tighten with a 13MM socket and wrench.



6. Slide the heat shield over the connection. Using a heat gun carefully shrink the heat shield around the connection.

CAUTION

Ensure no metal is still exposed once heat shield is in place. Exposed metal could cause a short circuit. This could lead to an electrical fire which may cause damage to the vehicle.



7. Run the second cable from the disconnect switch to the battery and attach where the main line was previously attached to complete the circuit. Tighten.

Note: If vehicle accessories must be energized while towing, connect accessory to the positive side of the battery.



8. Cover disconnect switch cables with protective wire loom. Then secure cables in position with provided zip ties to prevent the cables from rubbing against other components in the engine compartment.

CAUTION

Cover disconnect switch cables to prevent a short circuit. This could lead to an electrical fire which may cause damage to the vehicle.

BX88443 Kit, Manual Battery Disconnect Installation Instructions



8. Following the manufacturer's instructions, reattach the negative cable to the vehicle's battery. Reinstall battery cover and trim cover as needed for the cables. Test battery disconnect switch to ensure it is working properly. **Allow for at least 30 seconds between switching from OFF to ON and back again.**

Note: Some vehicles have two batteries. If both batteries are on an engine starting circuit a second BX88443 is needed, one for each battery. If only one of the batteries is on the engine starting circuit than only one BX88443 is needed.

Before Use Instructions:

1. **NEVER** disconnect the battery while the vehicle is running. A 'check engine light' may result which would need to be reset by a dealership.
2. Allow for at least a 30 second time period between switching to ON or OFF. Several newer model vehicles have diagnostic tests that run during initial start-up. Disrupting this may lead to a system malfunction.
3. When dinky towing, follow the instructions in the vehicle owner's manual. When the manual instructs you to disconnect the battery, turn the battery disconnect switch to the OFF position. When the owner's manual instructs you to reconnect the battery, turn the battery disconnect switch to the ON position. Make sure to follow the owner's manual instructions in the proper sequence, failing to do so could result in damage to the vehicle's transmission or other important vehicle systems.

BX88443
Kit, Manual Battery Disconnect
Installation Instructions

CUSTOMER SERVICE COMMITMENT

Blue Ox® is committed to providing you with exceptional customer care throughout your lifetime with our products. Our team is here to assist you with any questions you may have regarding the performance of your product. Simply call (402) 385-3051 and you can speak with our customer service team.

Additionally, please visit our website to see which rallies our team will be attending. For a nominal fee, our service technician will service your towing system to ensure it's in proper working condition. Also, as a commitment to our customers, should you visit our factory, you can stay at our full service Blue Ox® campground at no charge along with enjoying a factory tour.

Again, thank you for being our customer and for the confidence you have shown in the performance of our products. It is because of customers like you we enjoy the success we have today.



© 2023 Blue Ox
One Mill Road, Industrial Park
Pender, Nebraska 68047
Phone: (402) 385-3051
Fax: (402) 385-3360
www.blueox.com

BLUE OX ORIGINAL PURCHASERS LIMITED LIFETIME WARRANTY

Automatic Equipment Manufacturing Company ("Automatic") warrants to the original (first) retail purchaser that this product, manufactured by Automatic, shall be free from defect in material and workmanship under normal use and service for as long as the original retail purchaser owns the product.

During said period, Automatic will repair or replace any parts that have been returned by the original purchaser, to the factory, transportation prepaid, and in Automatic's sole and absolute opinion found to be defective.

Limitations on Warranty Coverage:

Coverage under this warranty will be valid only if the customer warranty card is returned by the original purchaser within 30 days of purchase.

Coverage under this warranty will be effective only when a copy of the original invoice, showing date and place of purchase, accompanies any claim for warranty. This warranty is NON TRANSFERABLE.

This limited warranty will not cover, in any way or form, any alleged damages caused by incorrect or improper installation, improper use, modification or neglect of product, failure to properly service and maintain, misuse, act of God, accident or failure of the user to follow guidelines contained in the instructional material provided by Automatic.

This warranty does not cover normal wear and tear, paint or rust.

Warrantor assumes no responsibility to the owner for loss of use of product, loss of time, inconvenience or any other damage consequential or otherwise. Including, but not limited to mileage, expense of transporting of product, return shipping expense, mechanics travel time, telephone, road service, towing, and rental during repairs, travel, lodging, loss or damage to personal property or loss of earnings.

REPAIR OR REPLACEMENT AS SET FORTH IN THIS LIMITED WARRANTY IS THE SOLE EXCLUSIVE REMEDY OF THE PURCHASER. AUTOMATIC SHALL NOT BE LIABLE FOR ANY INCIDENTAL OR CONSEQUENTIAL DAMAGES FOR BREACH OF ANY EXPRESS OR IMPLIED WARRANTY ON THIS PRODUCT. EXCEPT TO THE EXTENT PROHIBITED BY APPLICABLE LAW, ANY IMPLIED WARRANTY OF MERCHANTABILITY OR FITNESS FOR A PARTICULAR PURPOSE ON THIS PRODUCT IS LIMITED IN LENGTH TO THE DURATION OF THIS WARRANTY.

Please visit <http://blueox.com/warranty/> to register your warranty



BLUE OX