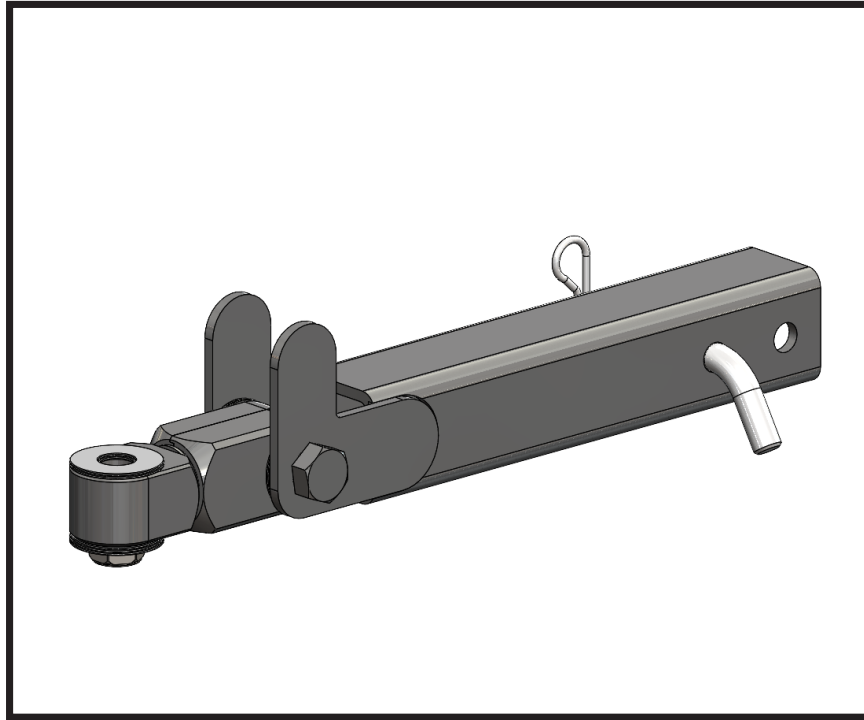




BX88424, BX88425, BX88426 Tow Bar Hitch Connector Installation Instructions



Tow Bar Hitch Connectors

BX88424

2-1/2" Receiver, Short, 15,000 lb. Maximum Tow Capacity

BX88425

2-1/2" Receiver, Standard, 15,000 lb. Maximum Tow Capacity

BX88426

2-1/2" Receiver, Long, 15,000 lb. Maximum Tow Capacity

Note: When comparing the maximum tow capacity of the hitch connector and tow bar, the lesser of the two is the total tow capacity of the items together.

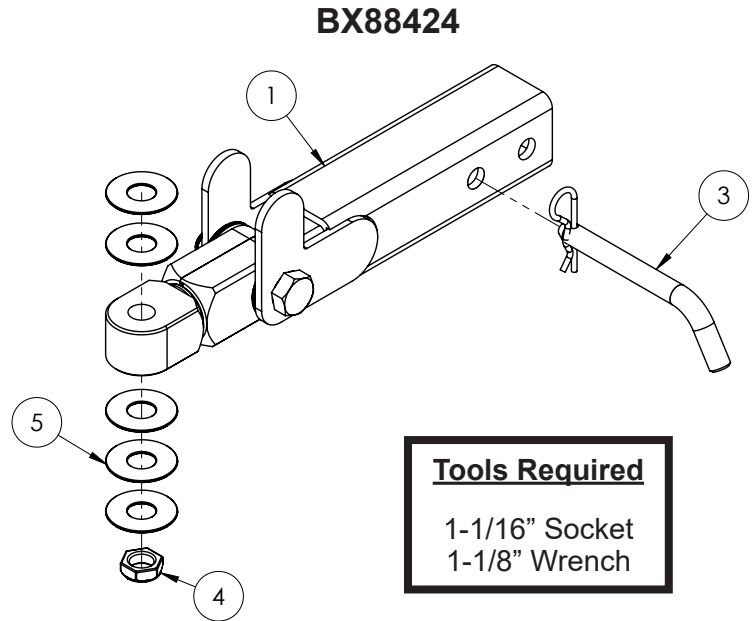
Important:

Use only genuine factory replacement parts on your tow bar. Do **NOT** substitute homemade or non-typical parts. If a bolt is lost or in need of replacement, for your safety and the preservation of your tow bar, be sure to use a replacement bolt of the same grade (In most cases it will be Grade 5, please reference the parts list above). Replacement parts may be ordered through your nearest Blue Ox® Dealer or Distributor. Failing to follow and/or altering these installation instructions in either installation or required equipment will void the manufacturer's warranty.

BX88424, BX88425, BX88426
Tow Bar Hitch Connector
Installation Instructions

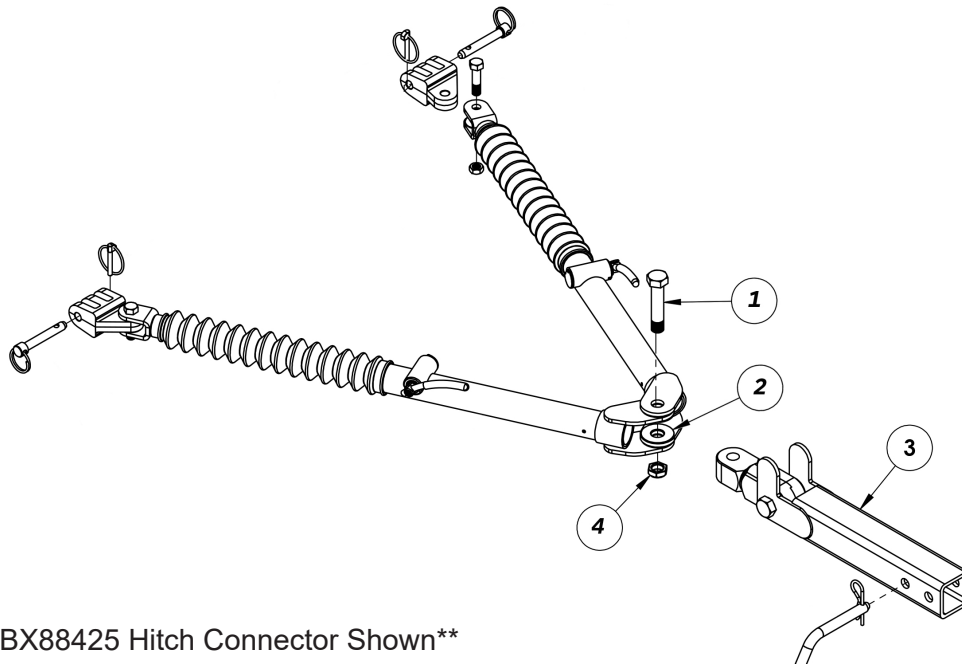
BX88424 Installation
2-1/2" Receiver, Short

1. Remove the 3/4" lock nut (Figure A, #4) and bolt (Figure A, #1) from the legs and hitch connector (Figure A, #3). Remove the hitch connector from the legs.
2. Replace the existing plastic washers (Figure A, #2) in between the legs with the new 2"OD washers. Install the new hitch connector back into the legs.
3. Align the washers with the leg and hitch connector holes and reinstall the bolt thru the legs. Install a new 3/4" lock nut onto the bolt and tighten down until the legs are snug but can move freely by hand.



Item No.	Part No.	Description	Qty.
1.....	62-4024	2-1/2" Receiver, Short	1
2.....	63-4961	Bolt Bag	1
3.....	200-1701	5/8" x 4" Eff. Pin with Clip, ZP.....	1
4.....	202-0152	3/4"-16 Hex Nut with Nylon Insert, ZP	1
5.....	290-0347	1/16" x 13/16" ID x 2" OD Plastic Spacer	5

Figure A

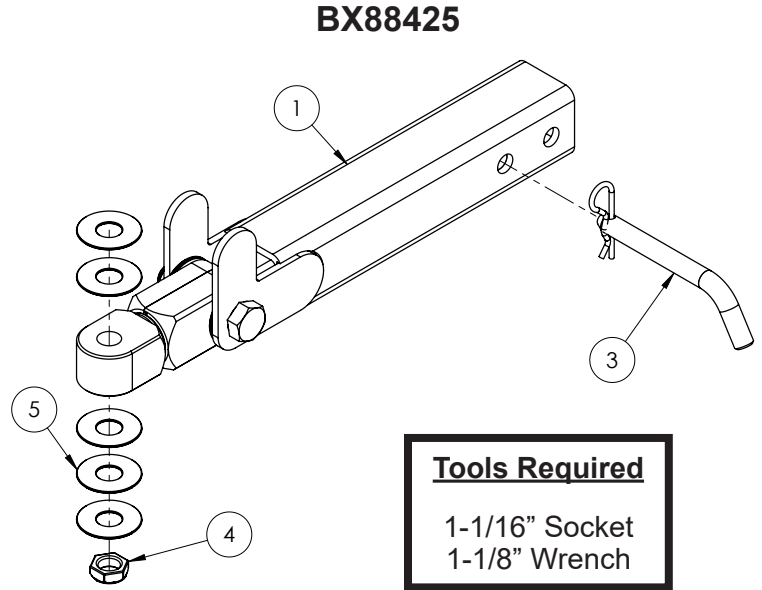


BX88425 Hitch Connector Shown

BX88424, BX88425, BX88426
Tow Bar Hitch Connector
Installation Instructions

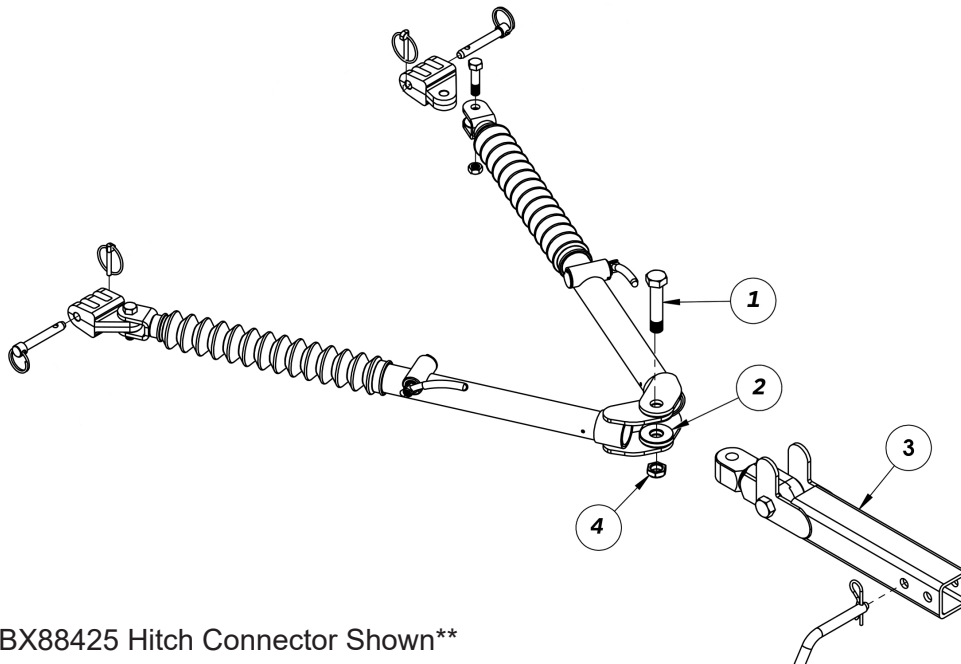
BX88425 Installation
2-1/2" Receiver, Standard

1. Remove the 3/4" lock nut (Figure A, #4) and bolt (Figure A, #1) from the legs and hitch connector (Figure A, #3). Remove the hitch connector from the legs.
2. Replace the existing plastic washers (Figure A, #2) in between the legs with the new 2"OD washers. Install the new hitch connector back into the legs.
3. Align the washers with the leg and hitch connector holes and reinstall the bolt thru the legs. Install a new 3/4" lock nut onto the bolt and tighten down until the legs are snug but can move freely by hand.



Item No.	Part No.	Description	Qty.
1.....	62-4025	2-1/2" Receiver, Standard	1
2.....	63-4961	Bolt Bag	1
3.....	200-1701	5/8" x 4" Eff. Pin with Clip, ZP.....	1
4.....	202-0152	3/4"-16 Hex Nut with Nylon Insert, ZP	1
5.....	290-0347	1/16" x 13/16" ID x 2" OD Plastic Spacer	5

Figure A

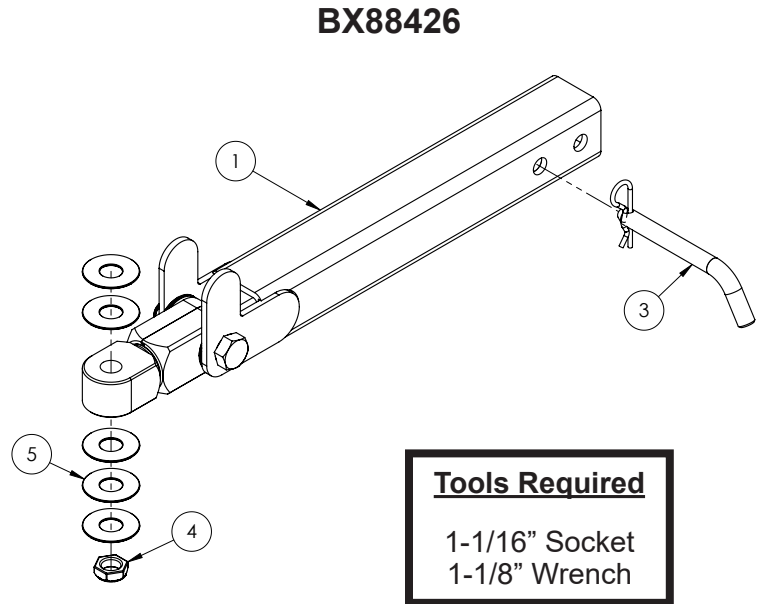


BX88425 Hitch Connector Shown

BX88424, BX88425, BX88426
Tow Bar Hitch Connector
Installation Instructions

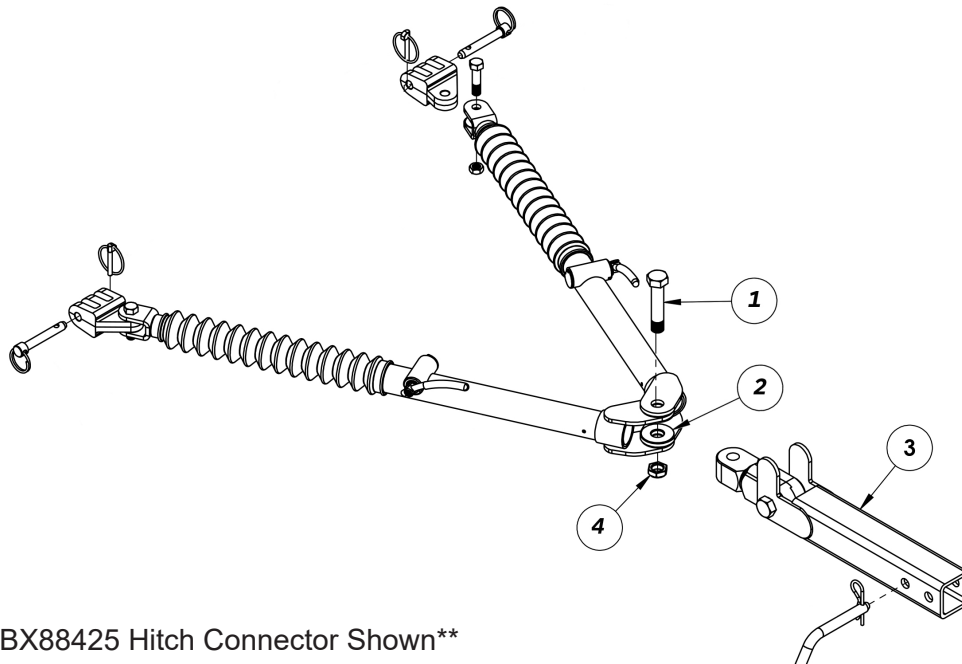
BX88426 Installation
2-1/2" Receiver, Long

1. Remove the 3/4" lock nut (Figure A, #4) and bolt (Figure A, #1) from the legs and hitch connector (Figure A, #3). Remove the hitch connector from the legs.
2. Replace the existing plastic washers (Figure A, #2) in between the legs with the new 2"OD washers. Install the new hitch connector back into the legs.
3. Align the washers with the leg and hitch connector holes and reinstall the bolt thru the legs. Install a new 3/4" lock nut onto the bolt and tighten down until the legs are snug but can move freely by hand.



Item No.	Part No.	Description	Qty.
1.....	62-4026	2-1/2" Receiver, Long	1
2.....	63-4961	Bolt Bag	1
3.....	200-1701	5/8" x 4" Eff. Pin with Clip, ZP.....	1
4.....	202-0152	3/4"-16 Hex Nut with Nylon Insert, ZP	1
5.....	290-0347	1/16" x 13/16" ID x 2" OD Plastic Spacer	5

Figure A



BX88425 Hitch Connector Shown

BX88424, BX88425, BX88426

Tow Bar Hitch Connector Installation Instructions

Tow Bar Maintenance

This tow bar requires periodic maintenance. It will be subjected to road dirt and weather during use. We recommend a full tow bar service every two (2) years or 10,000 miles. The following tips will help maintain the condition of your new tow bar.

1. Keep the tow bar covered when not in use, on or off of the towing vehicle. This will cut down on the dirt build up on the legs and joints of the tow bar. A BX88309 tow bar cover is recommended.
2. Periodically clean the entire surface of the tow bar with a mild soap and water solution. Wipe dry with a clean cloth.
3. Check for cracked welds and repair any loose, worn or damaged bolts, rubber boots or cap plugs.
4. Approximately once per year or if it is difficult to move the legs in and out, remove the small cable ties holding the rubber boots to the legs and slide the boots back. Clean off the inner legs with a silicone spray or brake cleaner. Apply a light coat of multipurpose grease to each leg to ensure a smooth operation. Secure each boot back in place with an 8" UV rated nylon cable tie.

Note: Only the inner legs require grease for normal operation. All other tow bar joints rely on self lubricating washers, if these joints become too stiff clean as directed with soap and water.

5. Before each trip check for movement in the baseplate. Grab the baseplate tabs and move up and down, making sure the baseplate is still secure to the vehicle's frame.

If the tow bar's legs do not operate smoothly or the joints become excessively loose, take your tow bar to an authorized Blue Ox Dealer or call Blue Ox Customer Care for repairs.

CUSTOMER SERVICE COMMITMENT

Blue Ox® is committed to providing you with exceptional customer care throughout your lifetime with our products. Our team is here to assist you with any questions you may have regarding the performance of your product. Simply call (402) 385-3051 and you can speak with our customer care team.

Additionally, please visit our website to see which rallies our team will be attending. For a nominal fee, our service technician will service your towing system to ensure it's in proper working condition. Also, as a commitment to our customers, should you visit our factory, you can stay at our full service Blue Ox® campground at no charge along with enjoying a factory tour.

Again, thank you for being our customer and for the confidence you have shown in the performance of our products. It is because of customers like you we enjoy the success we have today.

© 2022 Blue Ox
One Mill Road, Industrial Park
Pender, Nebraska 68047
Phone: (402) 385-3051
Fax: (402) 385-3360
www.blueox.com