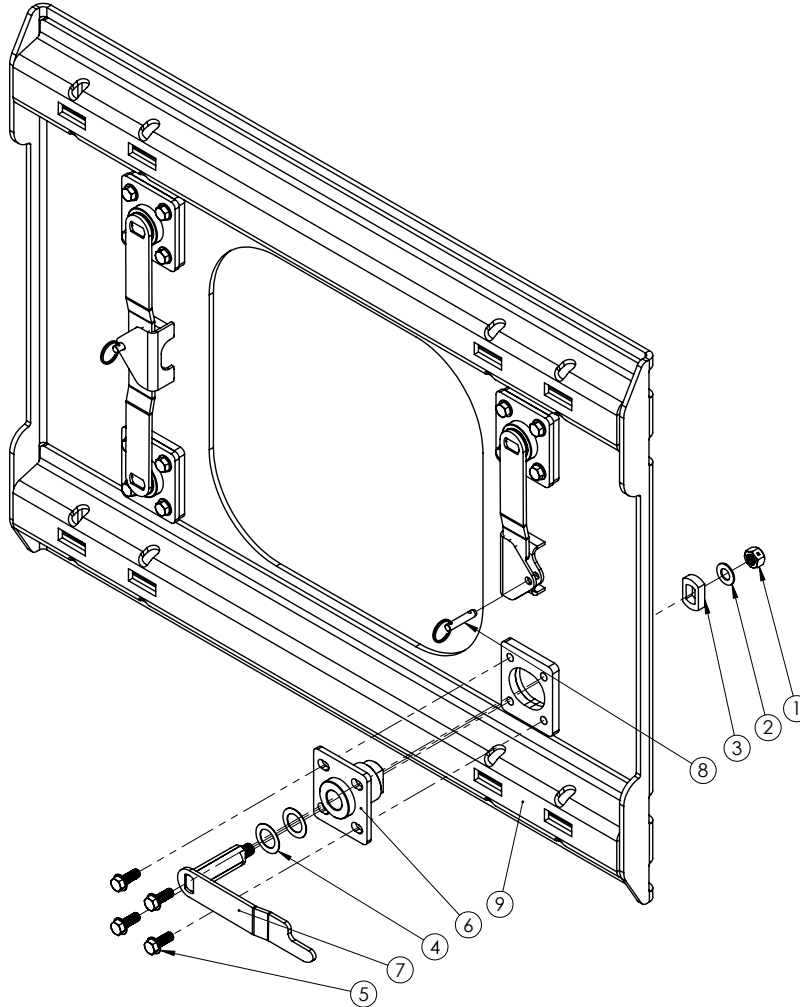


PREP RAILS UL #6333 Chevrolet/GMC

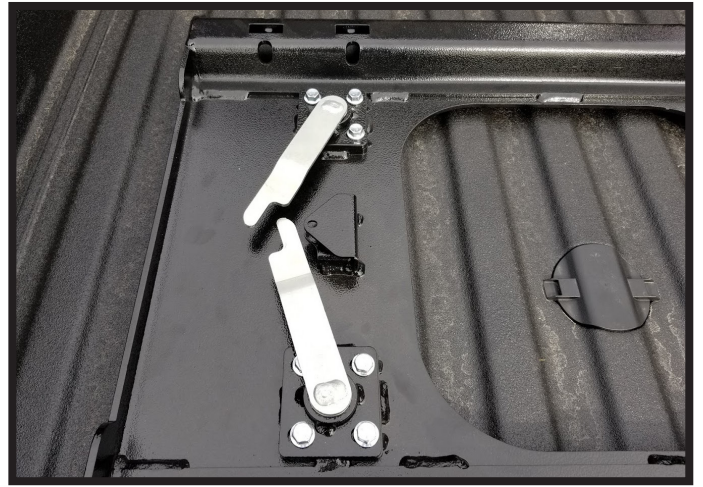


ITEM	PART #	QTY	DESCRIPTION
1	00173	4	NUT, HEX, .50 NC CENTER PUNCH
2	02384	4	.50 X 14 GA MACHINE WASHER
3	14413-95	4	LOCKING TAB
4	14423	8	WASHER SHIM .875 ID X .030 THK
5	14930	16	BOLT .375NC X 1.00 GR.5 HEX W/ SRTD FLNG
6	15818-76	4	PREP SOCKET
7	15819-95	4	LATCH HANDLE
8	15826	2	PIN, QUICK RELEASE .313 X 1.00
9	16850-76	1	GM PREP UL BED FRAME

Please order replacement parts by **PART NO.** and **DESCRIPTION.**



1. To fit the frame for the truck pods, remove covers from each mounting pod and with the locking arm bolts loose enough to move the locking mounts, place main frame into box of truck over mounting pods so the locking arms fit into the truck pods as shown. On first install, make sure the four bolts on the four latches are loose before installing.



3. Once your latches are setup for your truck, turn handle in so they will lock into each other as shown in picture.



2. With all the locking handles in the truck sockets, turn all the handle in to make sure they will all latch. If any of the handles will not turn in, remove the handle assembly from frame and remove bottom bolt to remove handle from mount and remove a washer that sits between the handle and top of handle mount. Reinstall handle in mount and try in frame. Once the handles all latch torque all bolts to 35 ft-lbs. **NOTE:** Once bolts are checked once again make sure frame can be removed and operate properly. This process will only need to be done once for frame to fit the trucks hitch pockets.



4. Place locking pins in mounting holes to lock the latch handles as shown. You are now ready to install your hitch.

IMPORTANT NOTE: Apply a little grease or lubricant to the part of the pins that insert into the mounting pods to help maintain smooth operation and rotation of pins and to protect from the elements. Turn the pins occasionally to prevent them from seizing. If handles turn to hard for desired fit remove nut on bottom of handle and remove one shim from top bushing.

DEMCO

4010 320th St., Boyden, IA. 51234

Phone: (712) 725-2311

Fax: (712) 725-2380

Toll Free: 1-800-54DEMCO (1-800-543-3626)

**Demco warranty policies, operator manuals, and product registration
can be found online:**

www.demco-products.com