

# INSTALLATION INSTRUCTIONS

**WARNING: NEVER EXCEED YOUR VEHICLE MANUFACTURER'S RECOMMENDED TOWING CAPACITY**

## ROUND BAR RETAINER



## PARTS LIST

Item#	Qty	Description
1	2	Hex head screw, M4 - 0.7 x 6, class 10.9
2	2	Spring clip
3	2	Set key

## INSTALLATION

**CAUTION:** Use eye protection for this procedure.

### Step 1

Remove the head of the old drive screw with a chisel. See Figure 1.



### Step 2

Use a pin punch to remove remaining shank of drive screw.

### Step 3

Place new set key (#3), with nose facing down, in the slot of the spring clip (#2), as shown in Figure 2.

### Step 4

Insert hex head screw (#1) into spring clip (#2) and then into the head unit, making sure set key (#3) is seated in position. Torque the hex head screw to 30 inch lbs.

### Step 5

Repeat Steps 1 through 4 for the other side.

**NOTE:** Periodically check this hitch to insure that all fasteners are tight and that all structural components are sound.

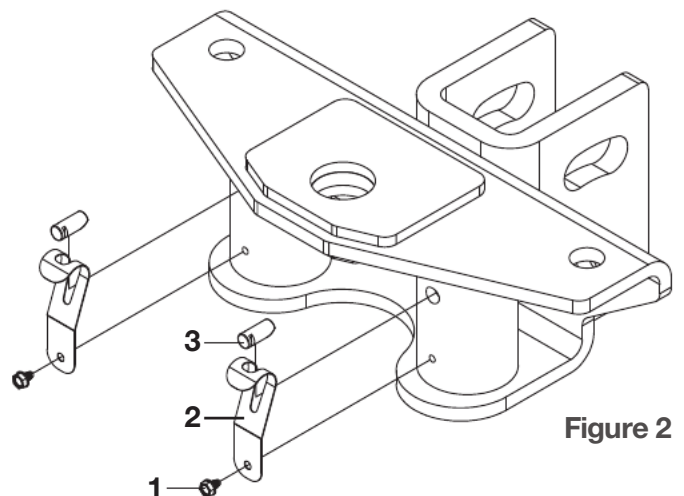


Figure 2